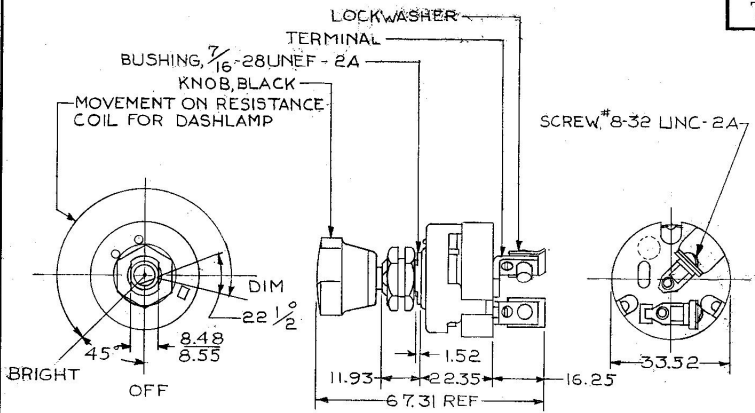


MM.-IN.
 .25 - .010
 1.52 - .060
 8.48 - .334
 8.55 - .337
 11.93 - .470
 16.25 - .640
 22.35 - .880
 33.52 - 1.320
 67.31 - 2.650

7493



7493-03	5.0 OHMS ±10%
7493-02	2.0 OHMS ±10%
7493-01	3.0 OHMS ±10%
7493	8.0 OHMS ±10%
PART NO.	RES COIL

(H)

Confidential Property of Cole Hersee

METRIC

DO NOT SCALE

LET.	WAS	DATE	BY	LET	WAS	DATE	BY	MATERIAL	DRAWN	CHECKED	APPROVED	SCALE	DATE DRAWN
								#	EA	5/26/80		1:1	12-3-57
								FINISH					DATE BLUEPRINT
								TOLERANCES	Cole Hersee Co. BUILDING VERMONT DIVISION, U.S.A. 05401				
								DECIMAL ± .010 METRIC ± .25					RHEOSTAT SWITCH