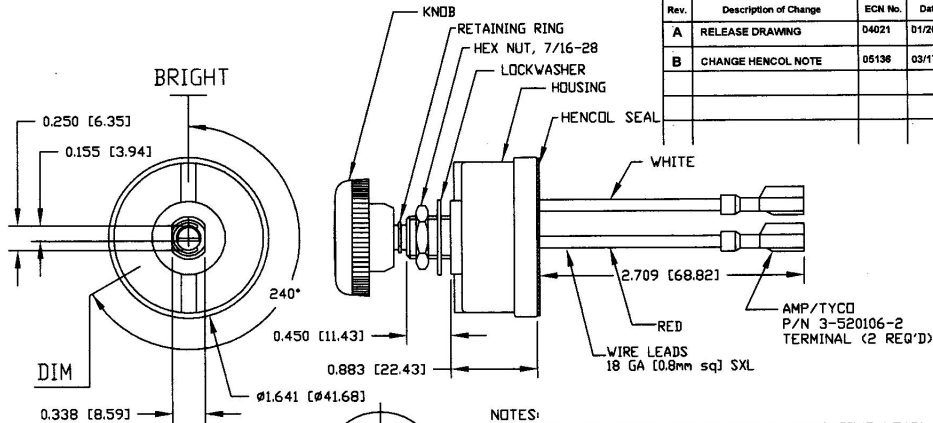


**Revision Control Record**

Rev.	Description of Change	ECN No.	Date
A	RELEASE DRAWING	04021	01/20/04
B	CHANGE HENCOL NOTE	05136	03/17/05



KNOB AND MOUNTING HARDWARE NOT SHOWN FOR CLARITY

FRONT VIEW ON KNOB

**NOTES:**

- 12-14.7 VDC, 7AMPS MAX. (LAMPS OR RESISTIVE LOAD), UNIT NOT LOAD SENSITIVE, PROTECTED FOR REVERSE POLARITY
- UNIT IS WEATHERPROOF SEALED
- ALL STEEL PARTS PLATED
- CH PART NUMBER AND DATE CODE PERMANENTLY MARK AT RANDOM
- ALL DIMENSIONS REFERENCE ONLY
- ALL HARDWARE ASSEMBLED

WHITE	LOAD
RED	BATTERY
<b>WIRE COLOR</b>	<b>CIRCUIT</b>

**Tolerances:** Unless otherwise specifically noted, the following are default tolerances:  
 \* 2-place Decimal Dimensions  $\pm 0.02"$   
 \* 3-place Decimal Dimensions  $\pm 0.005"$   
 \* Angular Dimensions  $\pm 1.0$  Deg.  
 \* Metric: Refer to equivalent English Dimension Tolerance  
 \* >>> NOTE: All tolerances are Non-Cumulative, etc.

**Dimensional Note:** All dimensions are expressed in inches except those shown in brackets (mm) are expressed in millimeters

"REF." or an Asterisk (\*) = Non-Toleranced Reference Dimension, shown for identification purposes only.

**PROPRIETARY INFORMATION:** This Engineering Drawing, and the information contained herein, is proprietary to Cole Hersee Company and may not be disclosed, re-produced, or in any other way transferred or communicated to any other party without the express written consent of an authorized representative of Cole Hersee Company.

**DESIGN CONTROL:** It is the responsibility of the individual using/referencing this drawing to ensure that the needed design revision level agrees with the revision level of the Controlled Document (Master Drawing). This is a NON-CONTROLLED DOCUMENT unless otherwise specifically noted.

**DO NOT SCALE:** Dimensional variation may occur during printing/reproductions.

**Special Characteristics:**



Critical Characteristics, relating to Safety and/or Regulatory Compliance



Significant Characteristics relating to Process Control (SPC)



Key Characteristics relating to Form - Fit - Function as defined by Cole Hersee Company and/or the Customer

(Note that the Identification of any Characteristics as being "Special" does not alter the requirement that ALL specified dimensions & tolerances must be met.)



**Cole Hersee Co.**

20 Old Colony Ave., South Boston, MA, 02127  
 PHN 617-268-2100 Web: www.colehersee.com

Description:

**DIMMER, 7AMP**

Drawing/  
Part No.:

**74601-12**

Current Rev.

**B**

Used On 74601-01  
or Ref: EX28017

Scale: **1:1**

Drawn **JJC**  
By:

Date **12/04/03**  
Drawn:

Responsible **JJC**  
Engineer:

**Pg. 1 of 1**