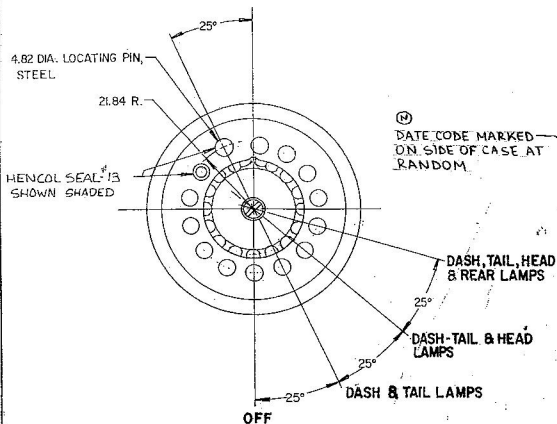
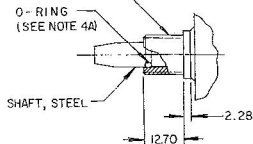


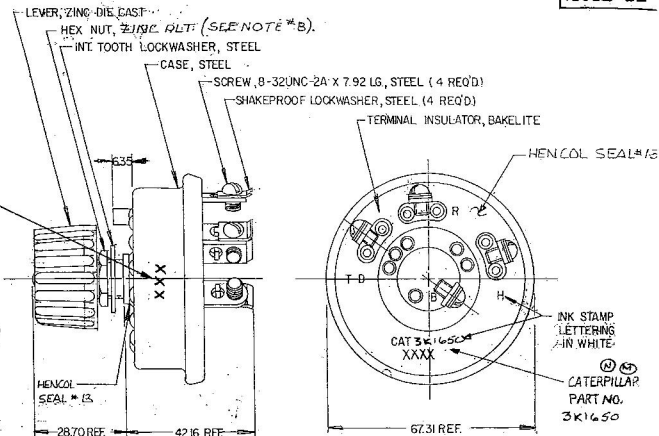
Confidential Property of Cole Hersee



1/2 - 20UNF - 2A THD. BUSHING



MOUNTING STEM DETAIL



NOTES:

- SILVER LAMINATED SHOULDER RIVETS STATIONARY CONTACTS, SOLID SILVER RIVETS MOVING CONTACT.
- MELAMINE LINER
- NUMBER OF POLES 1
NUMBER OF THROWS 3
- SEALING:
 - O-RING AT MFG. STEM & SHAFT
 - GASKET SEAL AT TERMINAL INSULATOR
- ALL STEEL PARTS PLATED
- RATING:
 - 12 V 30 AMPS TOTAL
 - 24 V 18 AMPS TOTAL
- LIFE* @ RATED CURRENT MAKE & BREAK
 - 12V, 24V - 100000 CYCLES MIN.
- INSTALLATION TORQUE 6.75 Nm [5FT.LBS]

METRIC

LET.	WAS	DATE	BY	LET.	WAS	DATE	BY	MATERIAL	DRAWN	CHECKED	APPROV'D	SCALE	EX 25396-B	DATE DRAWN
								FINISH	TJH	AF		1:1		11-4-93
														DATE BLUEPRINT
								TOLERANCES	 TRACTOR COMBINATION LIGHT SWITCH				72058-02	
							DECIMAL ±							
								METRIC ±						

DO NOT SCALE

DATE DRAWN

11-4-93

DATE BLUEPRINT

72058-02