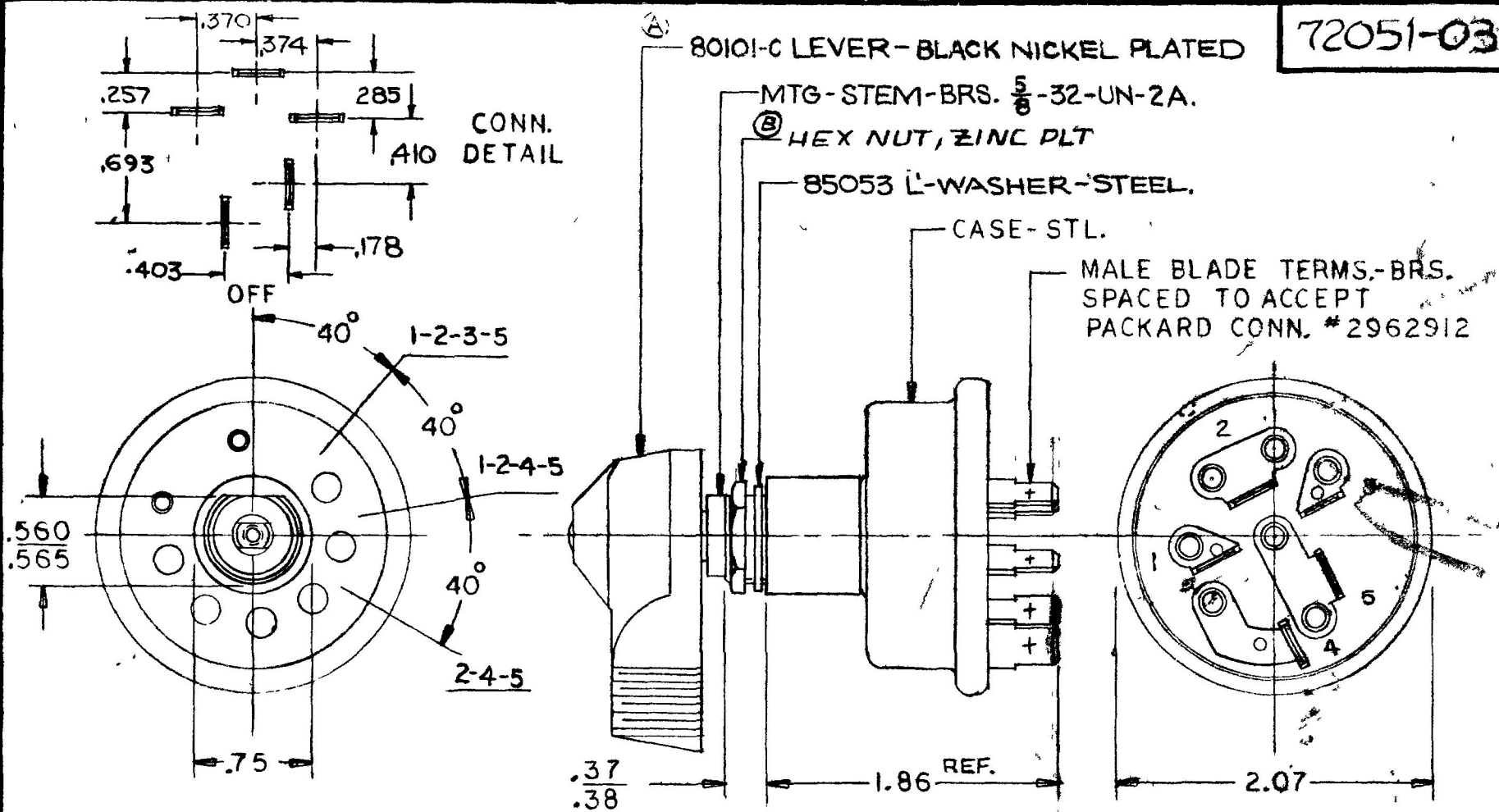


COLE-HERSEE CO.

NPM 8-10-73  
EX16616-A

72051-03



LEGEND	
1	
2	
3	
4	
5	BATTERY

NOTE: 1 SILVER RIVETS AT MOVABLE CONTACTS  
 2. TERM. RIVETS PLAIN COPPER  
 3. RIVET COVER - LINEN MELAMINE  
 4 O-RING SEALED AT MTG. STEM  
 © 5 ALL STL. PARTS PLATED

DO NOT SCALE

LET	WAS	DATE	BY	LET	WAS	DATE	BY	MATERIAL	DRAWN	CHECKED	APPR'D	SCALE	72051 EXCEPT LEVER OPERATED	DATE DRAWN
								—	RW.	8 15 73		1=1"		1-8-73
				C	CAD ZINC 125239	11/3/90	YL	FINISH					COLE-HERSEE COMPANY	DATE BLUEPRINT
				B	REV/LM75	10/29/80	BY						BOSTON, MASS. 02127, U.S.A.	
					15501 W 8-2-73		R	TOLERANCES					LIGHT SWITCH	72051-03
				A	NOV 14 1973	5-1-	RW	FRACTIONAL ±						
								DECIMAL ±.01						

SPAULDING CO., INC 47570