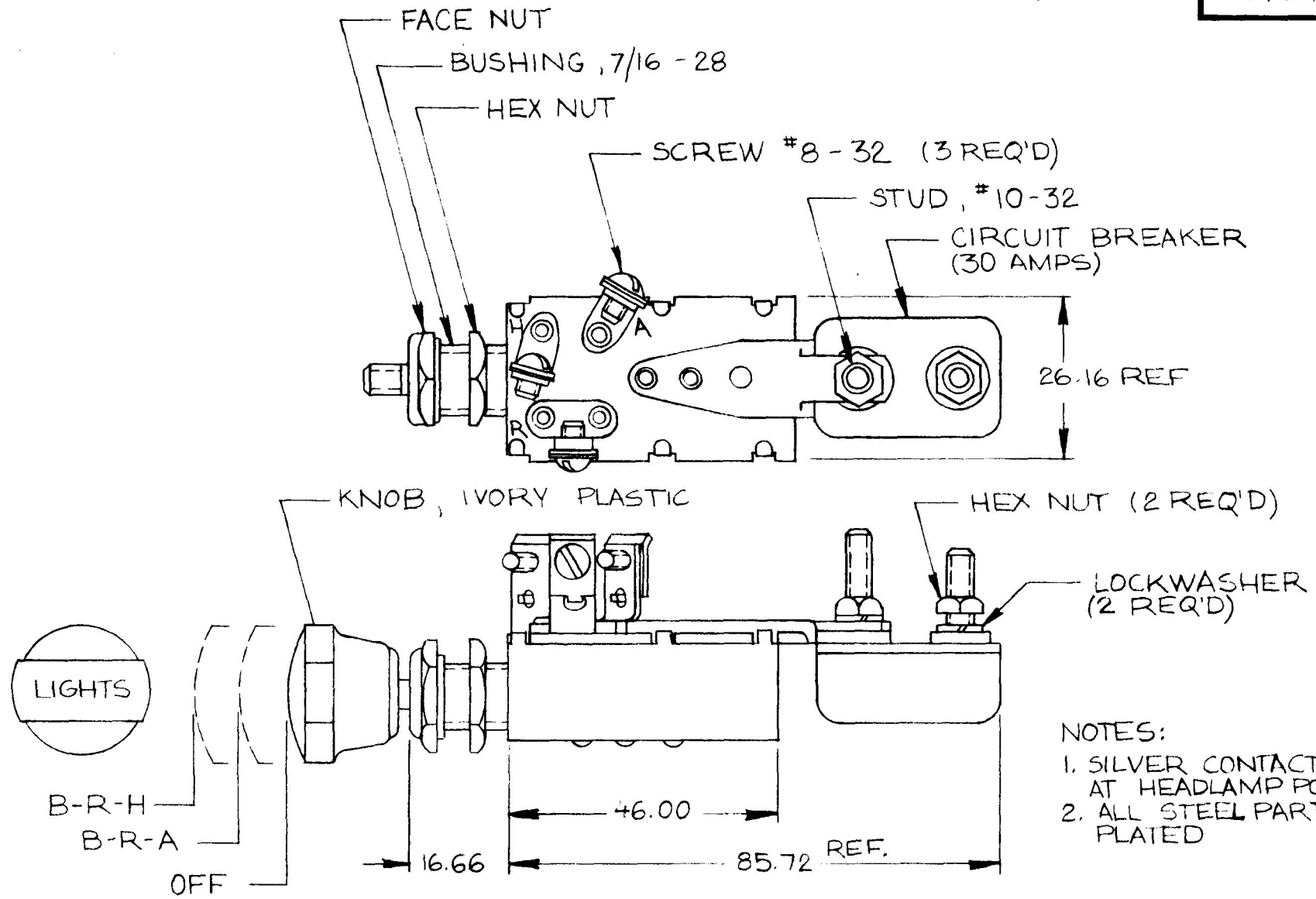


7157

MM 21N
 1.25 2010
 16.66 4.56
 26.16 1.030
 46.02 1.812
 85.72 3.375



NOTES:
 1. SILVER CONTACTS AT HEADLAMP POSITION
 2. ALL STEEL PARTS PLATED

METRIC

DO NOT SCALE

LET.	WAS	DATE	BY	LET	WAS	DATE	BY	MATERIAL	DRAWN	CHECKED	APPR'D	SCALE	DATE DRAWN
									JH	RJA		1:1	7-15-46
								FINISH	 Cole Hersee Co. <small>20 OLD CORTNEY AVENUE SOUTH BOSTON, MA U.S.A. 02121</small>				DATE BLUEPRINT
								TOLERANCES					HEADLAMP SWITCH
								DECIMAL ±					
								METRIC ±					

CH-188(4-78)