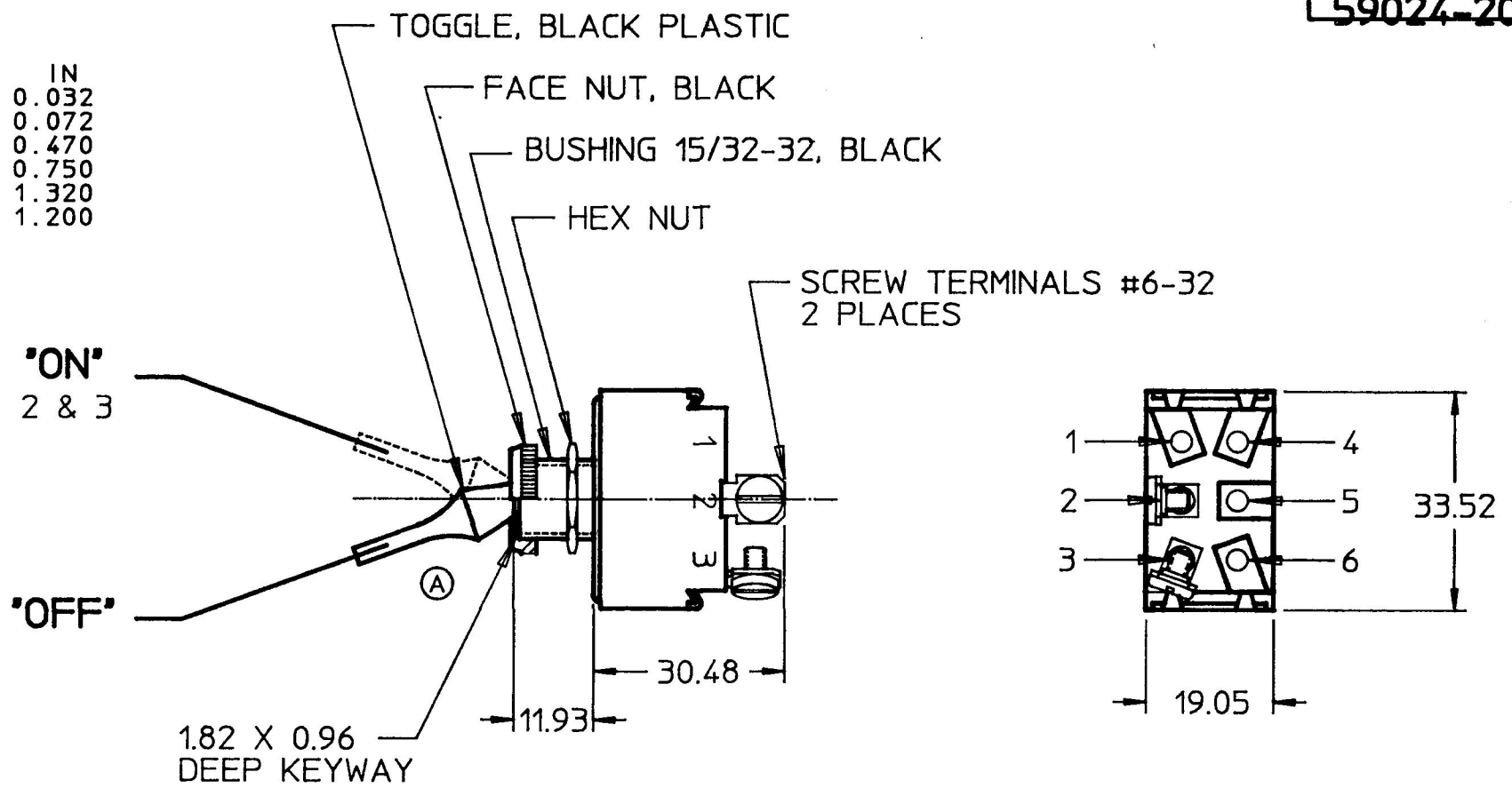


MM	IN
0.96	0.032
1.82	0.072
11.93	0.470
19.05	0.750
33.52	1.320
30.48	1.200



- NOTES:
1. ALL STEEL PARTS PLATED
 2. SILVER CONTACTS
 3. 25 AMPS @ 12VDC LAMP LOAD
 4. ALL DIMENSIONS REF. ONLY

METRIC

DO NOT SCALE
CAD GENERATED

LET.	WAS	DATE	BY	LET.	WAS	DATE	BY	MATERIAL	DRAWN	CHK	APVD	SCALE	DATE DRAWN
									RO	AF		1:1	3/9/90
								FINISH	<p>Cole Hersee Co. 20 OLD COLONY AVENUE SOUTH BOSTON, MA U.S.A. 02127</p>				DATE BLUEPRINTED
				A	EON 24519	8/21/90	RO	TOLERANCES					
					ISSUED	3/27/90	AF	DECIMAL ± ANGLE ±	<p>SW, TOGGLE, SPST</p>				59024-200
<p>Confidential Property of Cole Hersee</p>													