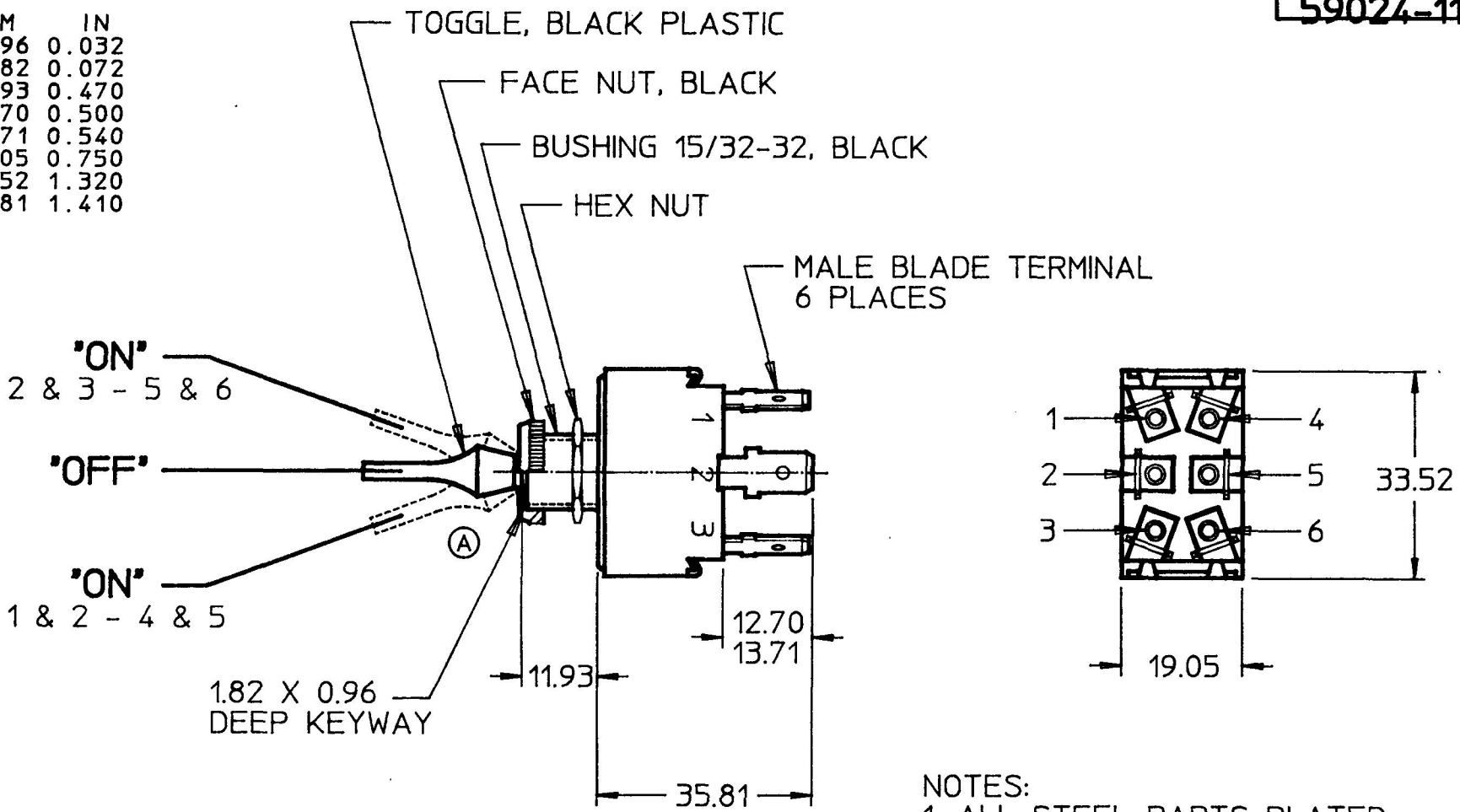


| MM | IN |
|-------|-------|
| 0.96 | 0.032 |
| 1.82 | 0.072 |
| 11.93 | 0.470 |
| 12.70 | 0.500 |
| 13.71 | 0.540 |
| 19.05 | 0.750 |
| 33.52 | 1.320 |
| 35.81 | 1.410 |



- NOTES:
1. ALL STEEL PARTS PLATED
 2. SILVER CONTACTS
 3. 25 AMPS @ 12VDC LAMP LOAD
 4. ALL DIMENSIONS REF. ONLY

METRIC

DO NOT SCALE
CAD GENERATED

| LET. | WAS | DATE | BY | LET. | WAS | DATE | BY | MATERIAL | DRAWN | CHK | APVD | SCALE | DATE DRAWN |
|------|-----|------|----|------|-----------|---------|----|----------------------|---|-----|------|-------|------------------|
| | | | | | | | | | LIZ | AF | | 1:1 | 3/8/90 |
| | | | | | | | | FINISH | <small>20 OLD COLONY AVENUE SOUTH BOSTON, MA U.S.A. 02127</small> | | | | DATE BLUEPRINTED |
| | | | | A | ECN 24519 | 8/21/90 | RO | TOLERANCES | | | | | SW, TOGGLE, DPDT |
| | | | | | ISSUED | 3/27/90 | AF | DECIMAL ± ANGLE ± | | | | | |