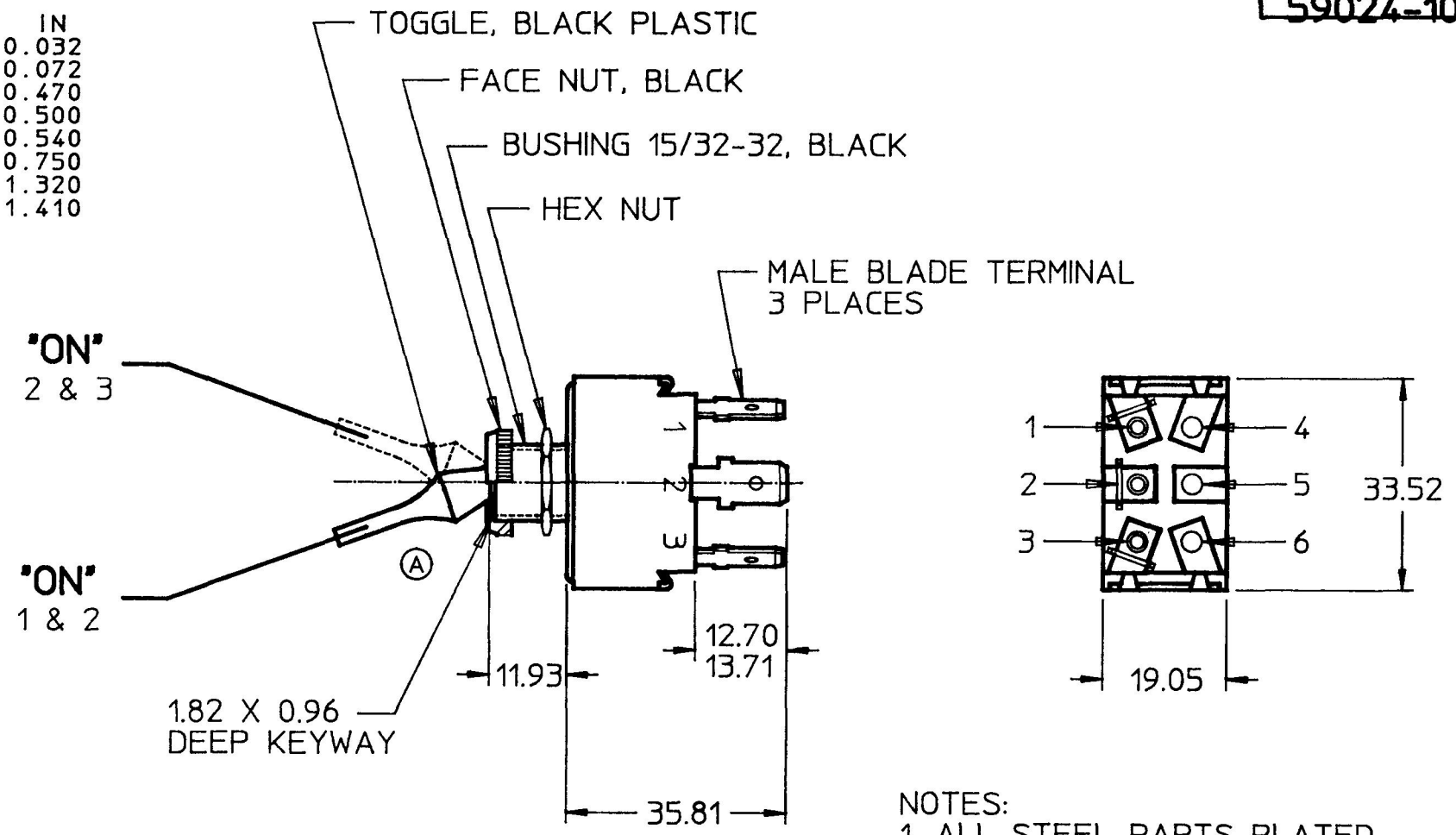


MM	IN
0.96	0.032
1.82	0.072
11.93	0.470
12.70	0.500
13.71	0.540
19.05	0.750
33.52	1.320
35.81	1.410



- NOTES:
1. ALL STEEL PARTS PLATED
  2. SILVER CONTACTS
  3. 25 AMPS @ 12VDC LAMP LOAD
  4. ALL DIMENSIONS REF. ONLY

METRIC

DO NOT SCALE  
CAD GENERATED

LET.	WAS	DATE	BY	LET.	WAS	DATE	BY	MATERIAL	DRAWN	CHK	APVD	SCALE	DATE DRAWN
									RO	AT		1:1	3/8/90
								FINISH	 Cole Hersee Co. <small>20 OLD COLONY AVENUE SOUTH BOSTON, MA U.S.A. 02127</small>				DATE BLUEPRINTED
				A	EDN 24519	8/21/90	RO	TOLERANCES					
					ISSUED	3/27/90	AF	DECIMAL ± ANGLE ±	SW, TOGGLE, SPDT				59024-104