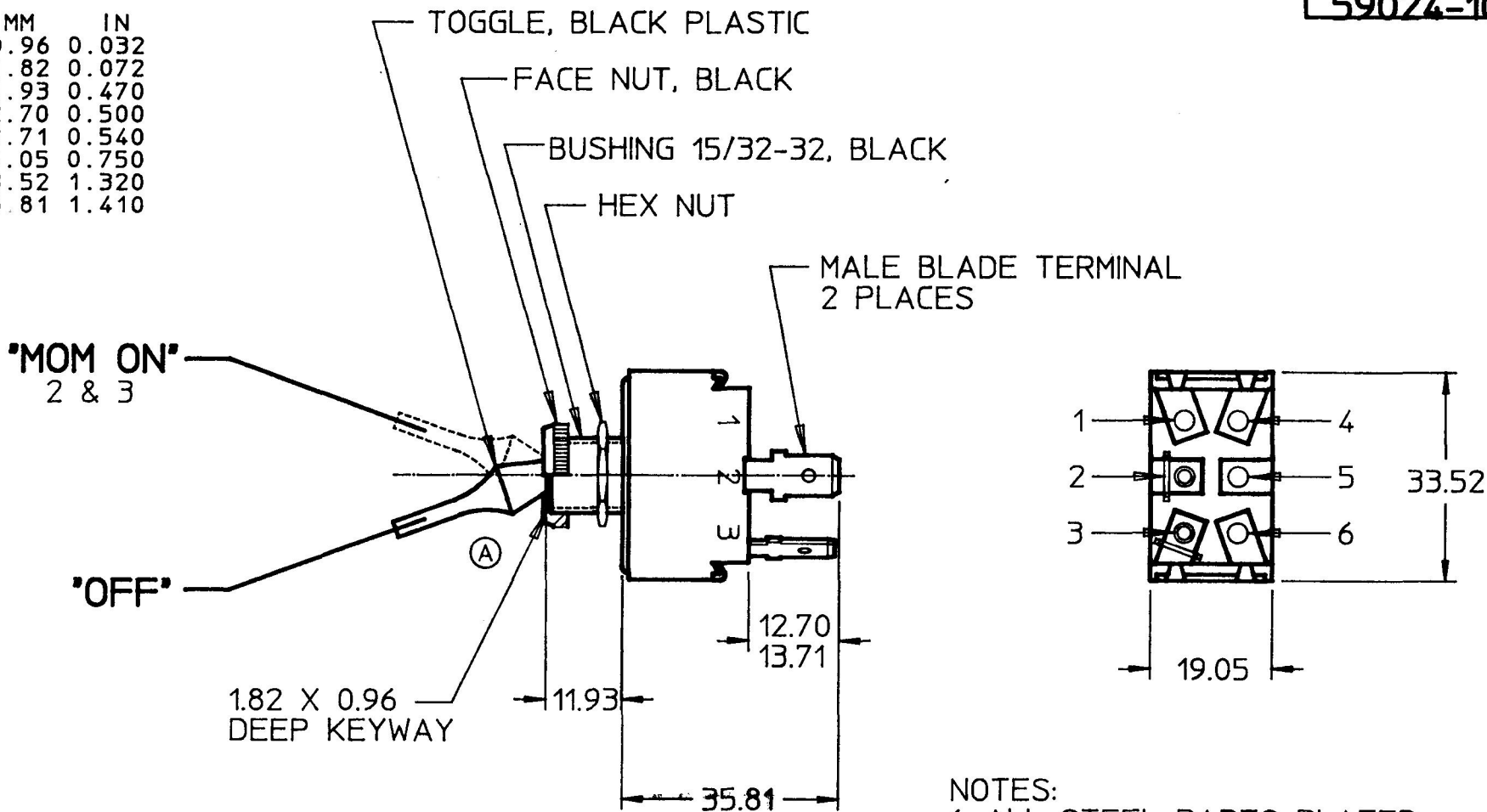


| MM    | IN    |
|-------|-------|
| 0.96  | 0.032 |
| 1.82  | 0.072 |
| 11.93 | 0.470 |
| 12.70 | 0.500 |
| 13.71 | 0.540 |
| 19.05 | 0.750 |
| 33.52 | 1.320 |
| 35.81 | 1.410 |



- NOTES:
1. ALL STEEL PARTS PLATED
  2. SILVER CONTACTS
  3. 25 AMPS @ 12VDC LAMP LOAD
  4. ALL DIMENSIONS REF. ONLY

METRIC

DO NOT SCALE  
 CAD GENERATED

| LET. | WAS | DATE | BY | LET. | WAS       | DATE    | BY | MATERIAL             | DRAWN   | CHK | APVD | SCALE | DATE DRAWN       |
|------|-----|------|----|------|-----------|---------|----|----------------------|---|-----|------|-------|------------------|
|      |     |      |    |      |           |         |    |                      | RO  | AF  |      | 1:1   | 3/8/90           |
|      |     |      |    |      |           |         |    | FINISH               | Cole Hersee Co.<br><small>70 OLD COLONY AVENUE SOUTH BOSTON MA U.S.A. 02127</small> |     |      |       | DATE BLUEPRINTED |
|      |     |      |    | A    | EQN 24319 | 8/21/90 | RO | TOLERANCES           |   |     |      |       |                  |
|      |     |      |    |      | ISSUED    | 3/27/90 | AF | DECIMAL ±<br>ANGLE ± | SW, TOGGLE, SPST, MOM   |     |      |       | 59024-102        |