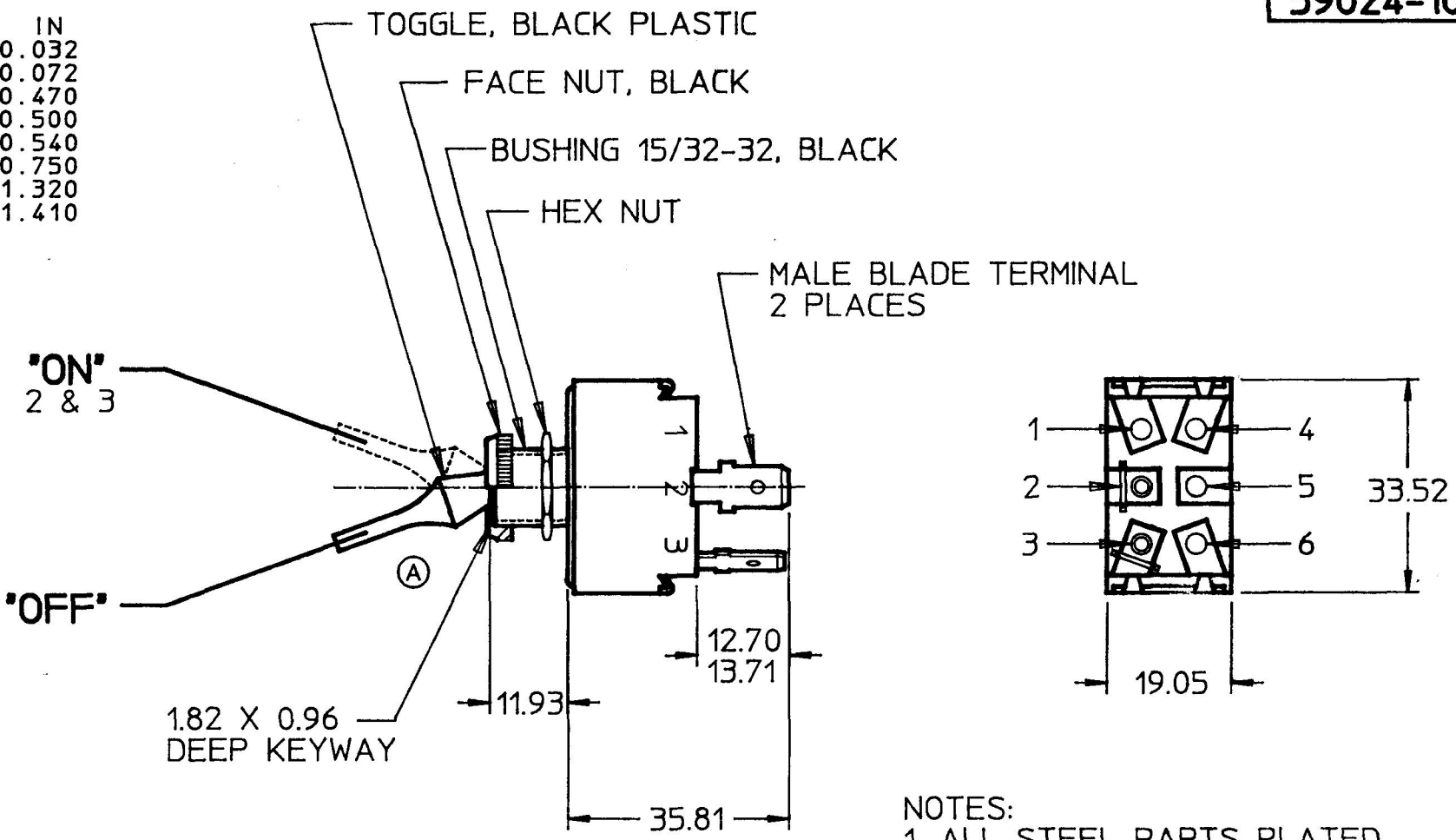


MM	IN
0.96	0.032
1.82	0.072
11.93	0.470
12.70	0.500
13.71	0.540
19.05	0.750
33.52	1.320
35.81	1.410



- NOTES:
1. ALL STEEL PARTS PLATED
  2. SILVER CONTACTS
  3. 25 AMPS @ 12VDC LAMP LOAD
  4. ALL DIMENSIONS REF. ONLY

METRIC

DO NOT SCALE  
CAD GENERATED

LET.	WAS	DATE	BY	LET.	WAS	DATE	BY	MATERIAL	DRAWN	CHK	APVD	SCALE	DATE DRAWN
									RO	AF		1:1	3/8/90
								FINISH	 20 OLD COLONY AVENUE SOUTH BOSTON, MA U.S.A. 02127				DATE BLUEPRINTED
				A	ECH 24319	8/21/90	RO	TOLERANCES					SW, TOGGLE, SPST
					ISSUED	3/27/90	AF	DECIMAL ± ANGLE ±					