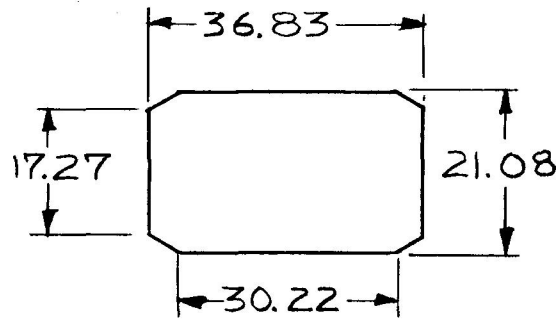
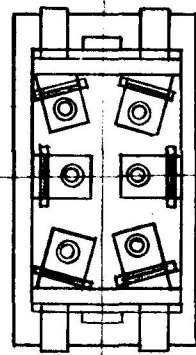
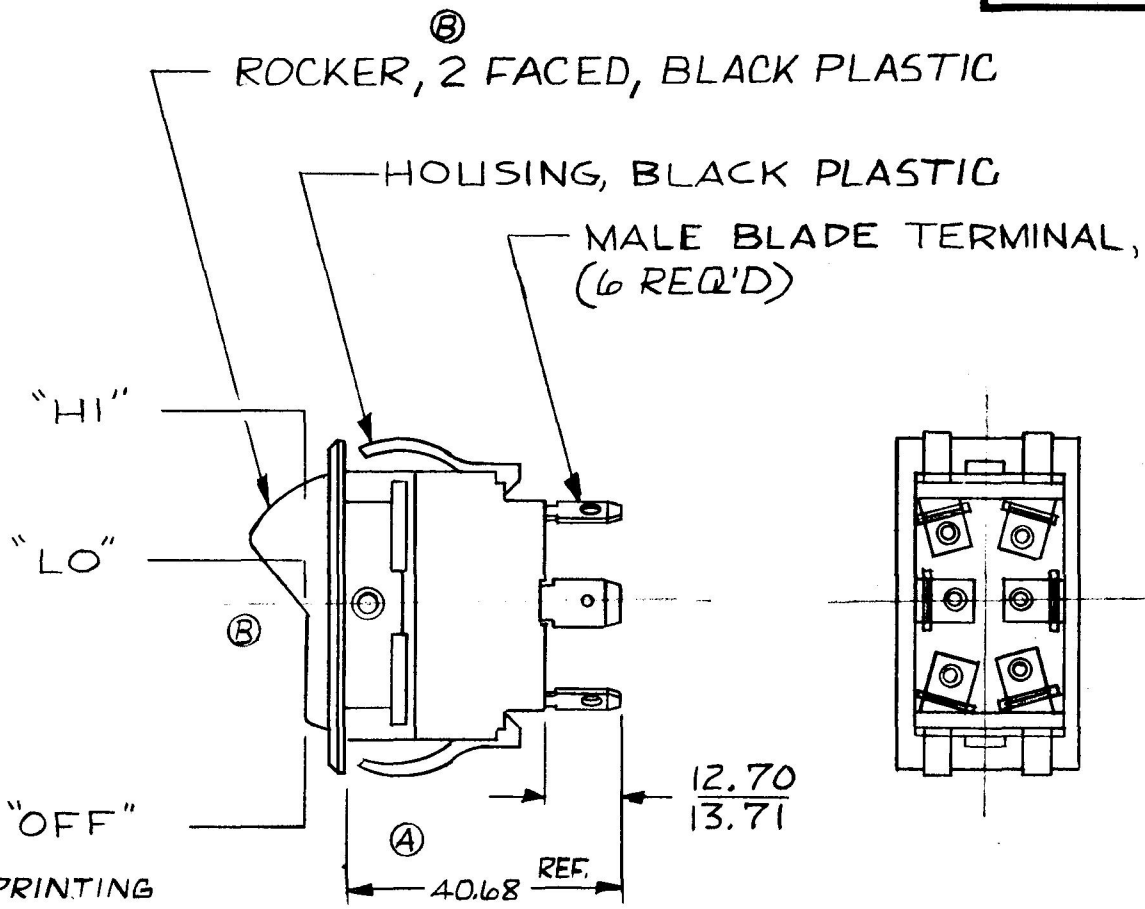
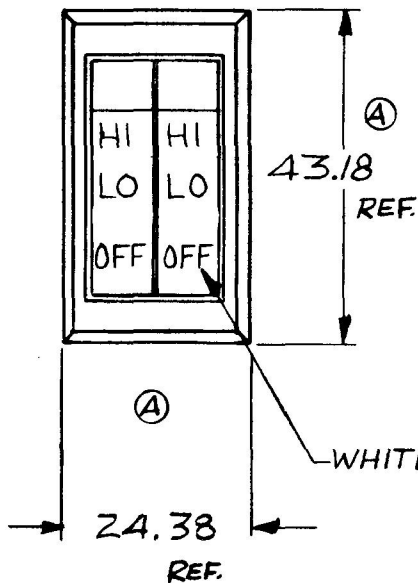


MM	IN
3.17	.125
12.70	.500
13.71	.540
17.27	.680
21.08	.830
24.38	.960
30.22	1.190
36.83	1.450
40.68	1.601
43.18	1.700

58506-15



MTG. HOLE DETAIL



- (A) NOTES:
1. SILVER CONTACTS
  2. HEAVY DUTY
  3. 25 AMPS @ 12VDC LAMP LOAD

METRIC

DO NOT SCALE

LET.	WAS	DATE	BY	LET	WAS	DATE	BY	MATERIAL	DRAWN	CHECKED	APPR'V'D.	SCALE	DATE DRAWN
								//	DPS	RJT		1:1	2-20-81
								FINISH	 20 OLD COLONY AVENUE, SOUTH BOSTON, MA, U.S.A. 02127				DATE BLUEPRINT
				B	WAS 3 FACE	21396	5-4-81	(B)					
				A	REV /	21346	3-20-81	(B)	TOLERANCES DECIMAL ± .010 METRIC ± .25				
					ISSUED		2-24-81	KJ					SW. RKR. DUAL ACT 58506-15

CH-188(4-78)