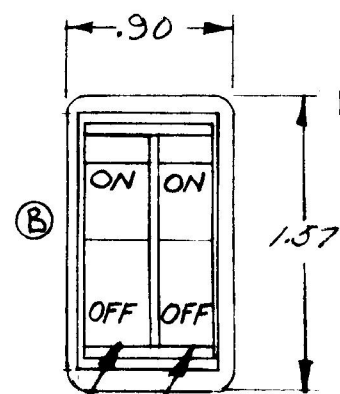
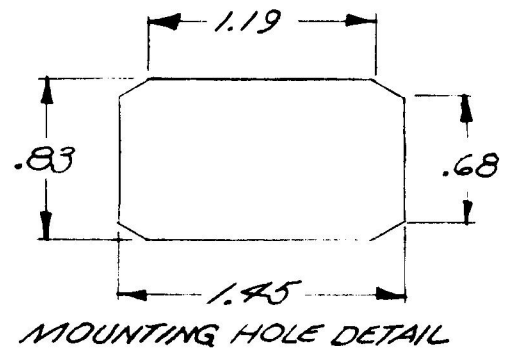


58506-08

COLE-HERSEE CO.

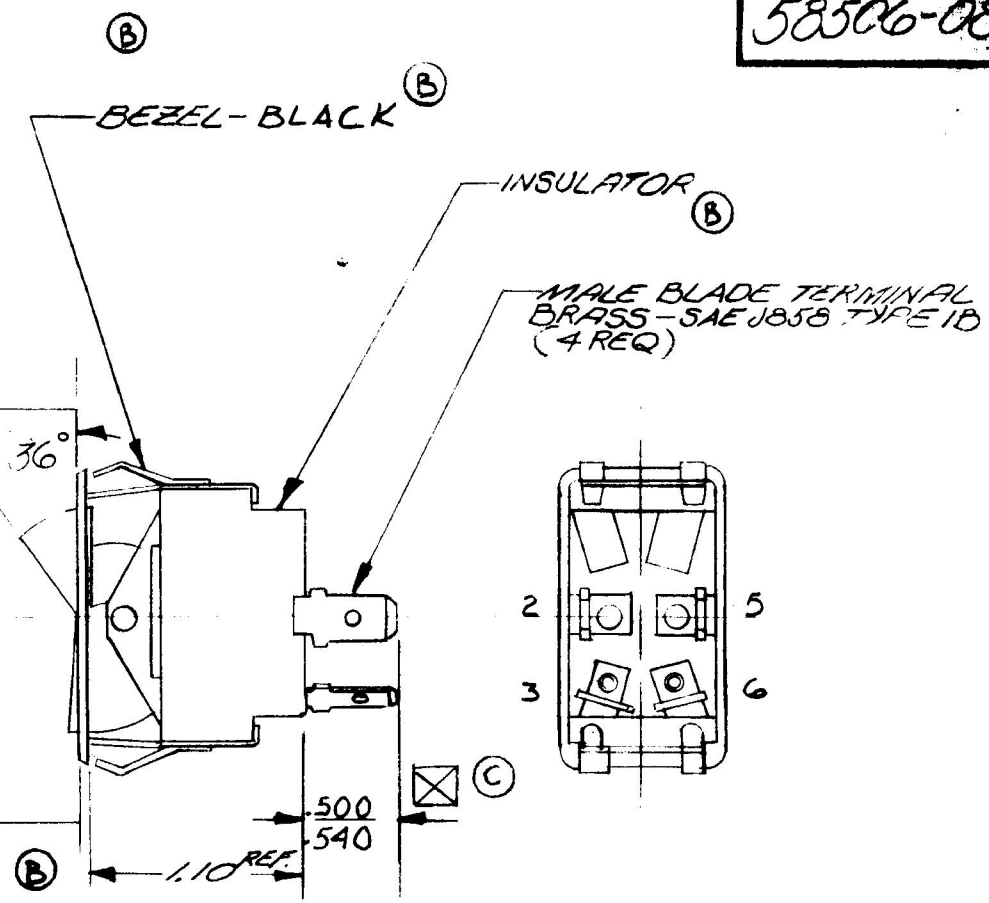
N.P.M. 6-1-73

EX-16699



BLACK IMPRINT ON WHITE ROCKER  
 WHITE IMPRINT ON BLACK ROCKER

BLACK ROCKER "ON" @ 5 & 6  
 WHITE ROCKER MOM. ON @ 2 & 3



NOTES:  
 1. 25 AMPS @ 12 VDC LAMP LOAD.  
 2. SILVER CONTACT RIVETS AND SILVER PAD.

HEAVY DUTY

DO NOT SCALE

LET	WAS	DATE	BY	LET	WAS	DATE	BY	MATERIAL	DRAWN	CHECKED	APPR'D.	SCALE	DATE DRAWN
								—	B	CB		FULL	6-7-73
				C	ADD SYMBOL	2/25/92	AF	FINISH	<b>COLE-HERSEE COMPANY</b> BOSTON, MASS. 02127, U.S.A. DUAL ACTUATOR ROCKER SWITCH				DATE BLUEPRINT
				B	ECN 25003	12-11-91	AF	—					
				A	REV 18943	1-13-75	WH	TOLERANCES	58506-08 Confidential Property of Cole Hersee				
					ISSUED	6-11-73		FRACTIONAL ±					
								DECIMAL ±.01					