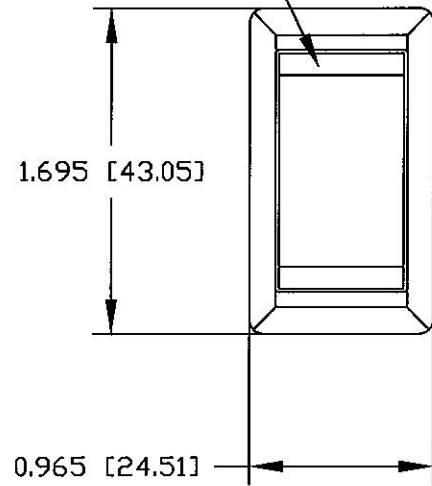
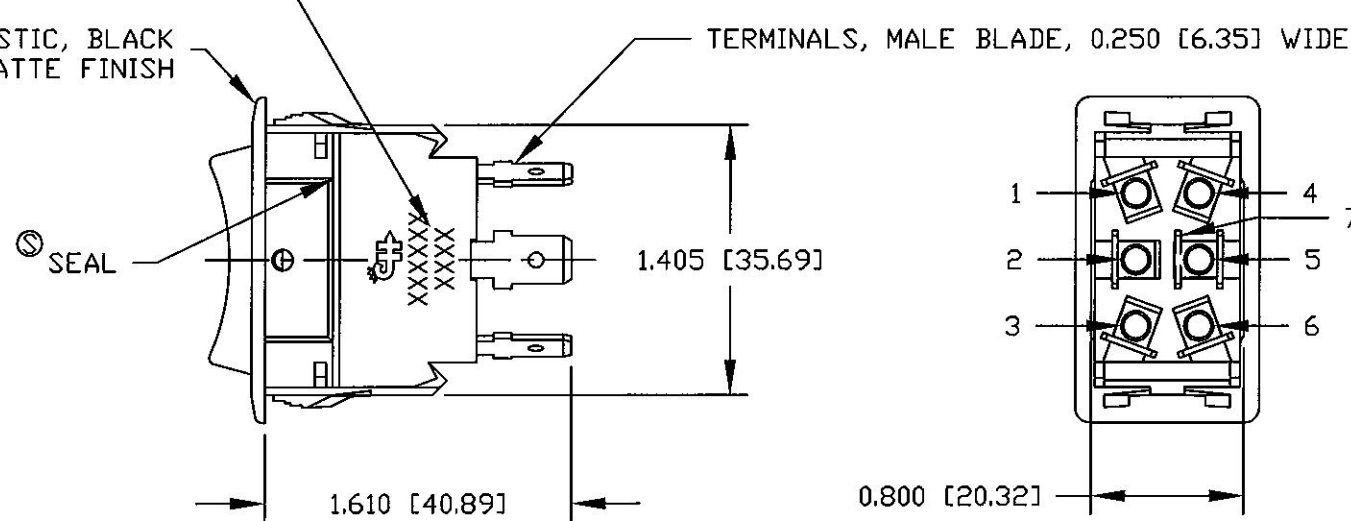


ROCKER: PLASTIC,  
COLOR CHARTED  
Ⓢ MATTE FINISH

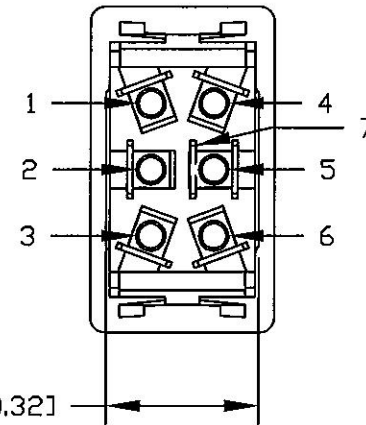


INK STAMP COLE HERSEE LOGO,  
PART NUMBER & DATE CODE

Ⓢ BEZEL: PLASTIC, BLACK  
MATTE FINISH



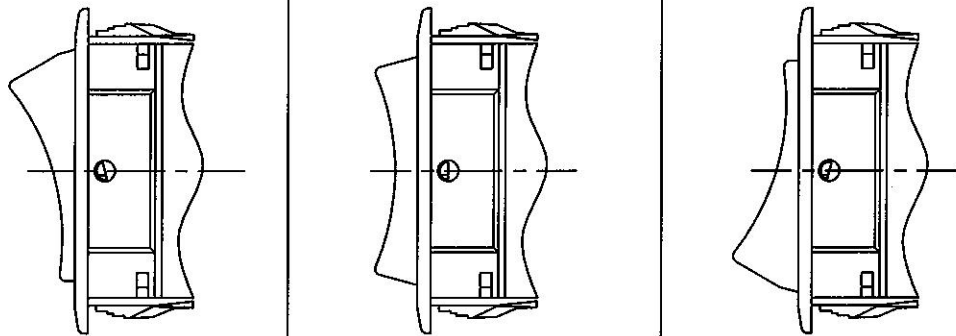
# CHART



Revision Control Record			
Rev.	Description of Change	ECN No.	Date
S	NOTE CHANGE	01132	2/28/01
T	NOTE CHANGE	01228	4/17/01
U	NOTE CHANGE	09378	07/30/09

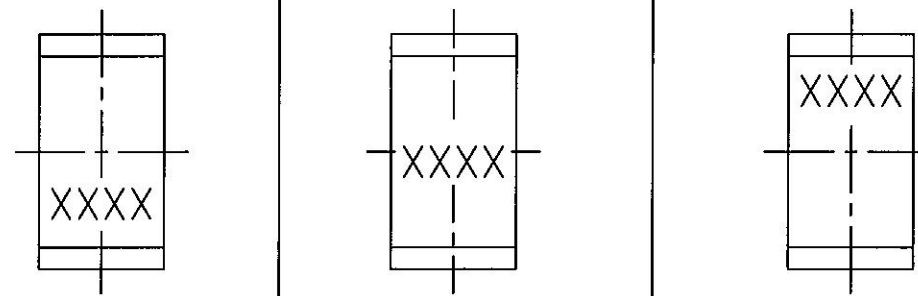
- Ⓢ NOTES:
- ALL DIMENSIONS ARE REFERENCES ONLY
  - CONTACTS RATING  
25 AMPS @ 12V DC  
15 AMPS @ 24V DC
  - 58027-17 ACTUATING FORCE TO BE APPROX. 12 IN/OZ [3.3N]
  - SILVER CONTACTS

## ROCKER POSITIONS



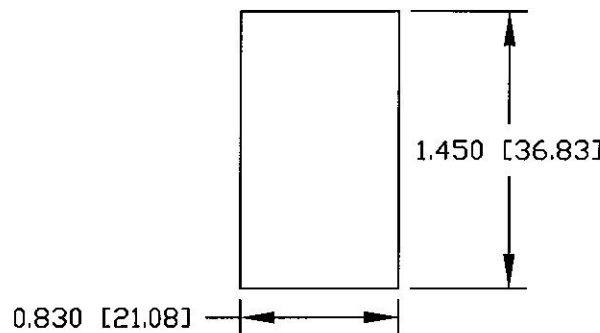
POSITION A    POSITION B    POSITION C

## IMPRINTING LOCATION



LOCATION D    LOCATION E    LOCATION F

## MOUNTING HOLE DETAIL



## ROCKER COLORS

BLACK

## IMPRINT COLORS

WHITE

**Tolerances** Unless otherwise specifically noted, the following are default tolerances:  
 \* 2-place Decimal Dimensions +/- .02"  
 \* 3-place Decimal Dimensions +/- .005"  
 \* Angular Dimensions +/- 1.0 Deg.  
 \* Metric: Refer to equivalent English Dimension Tolerance  
 >>> NOTE: All tolerances are Non-Cumulative. <<<

**Dimensional Units** All dimensions are expressed in inches except those shown in brackets (xxx) are expressed in millimeters

"REF." or an Asterisk (\*) = Non-Toleranced Reference Dimension, shown for clarification purposes only.

**PROPRIETARY INFORMATION** This Engineering Drawing, and the information contained herein, is proprietary to Cole Hersee Company and may not be disclosed, re-produced, or in any other way transferred or communicated to any other party without the express written consent of an authorized representative of Cole Hersee Company.

**DESIGN CONTROL** It is the responsibility of the individual using/referencing this drawing to assure that the noted design revision level agrees with the revision level of the Controlled Document (Master Drawing). This is a NON-CONTROLLED DOCUMENT unless otherwise specifically noted.

DO NOT SCALE - Dimensional variation may occur during printing/ reproduction.

### Key for Special Characteristics:

- Ⓢ Critical Characteristic, relating to Safety and/or Regulatory Compliance
- X Significant Characteristic relating to Process Control (SPC)
- Ⓢ Control Dimension relating to Form - Fit - Function as defined by Cole Hersee Company and/or the Customer

(Note that the identification of any Characteristics as being "Special" does not alter the requirement that ALL specified dimensions & tolerances must be met.)



**Cole Hersee Co.**  
 20 Old Colony Ave., South Boston, MA, 02127  
 Phn: 617-268-2100 Web: www.colehersee.com

Description:

# ROCKER SWITCH

Drawing / Part No.:

58027

Current Rev.

U

Used On or Ref.:

Scale: 1:1

Drawn By: MJT

Date Drawn: 5/13/93

Responsible Engineer: NA

Pg. 1 of 3