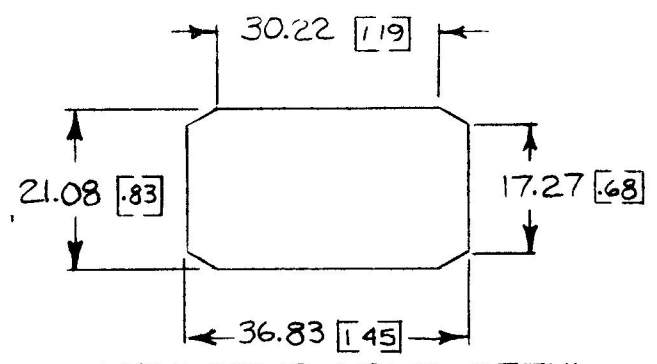
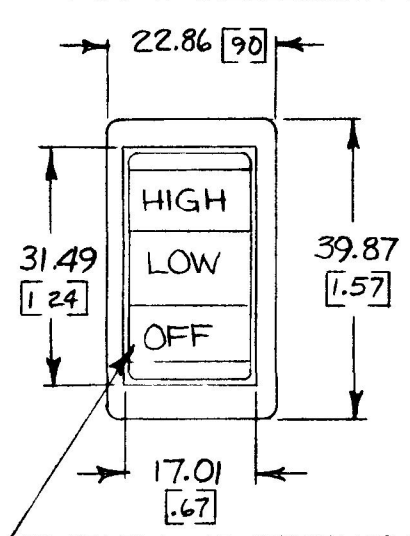


58007-07



MOUNTING HOLE DETAIL



SMOOTH NO SERRATIONS

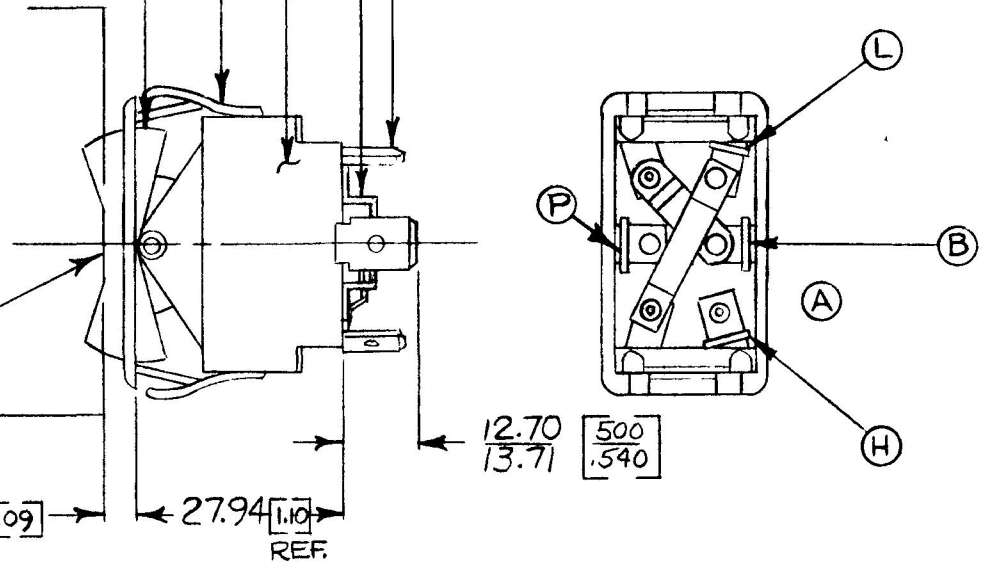
25 AMPS @ 12 VDC LAMP LOAD

B & H
"HIGH"
B & L
"LOW"
B & P
"OFF"

3 FACED
ROCKER

2.28 [.09]

ROCKER - WHITE
BEZEL - STEEL, BLACK FINISH
INSULATOR - MOULDED PHENOLIC
LINK
MALE BLADE TERMINAL - BRASS JAE J858 TYPE 1B (4 PLACES)



12.70 [500]
13.71 [.540]

REF.

27.94 [1.10]

DIMENSIONS: MILLIMETERS [INCHES]

LEGEND	
L	LOW
B	HOT FEED
H	HIGH
P	PARK (OFF)

NOTE:
1) SILVER CONTACT RIVETS AND SILVER CONTACT PADS.

HEAVY DUTY

DO NOT SCALE

LET	WAS	DATE	BY	LET	WAS	DATE	BY	MATERIAL	DRAWN	CHECKED	APPRV'D	SCALE	DATE DRAWN
								#	JWH	1-30-76		1=1	8-21-75
								FINISH	COLE-HERSEE COMPANY				DATE BLUEPRINT
									BOSTON, MASS 02127, U.S.A.				
				A	REV./20157	5-12-78	VK	TOLERANCES	2 SPEED W/W				58007-07
					15068-D	1-20-76	Y	FRACTIONAL ±	ROCKER SWITCH				
								DECIMAL ±.015					