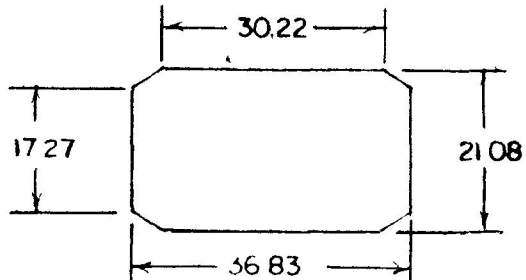
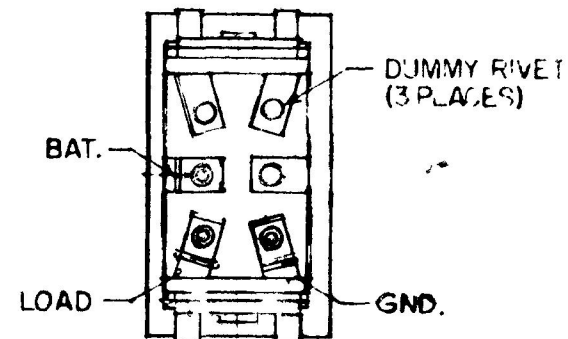
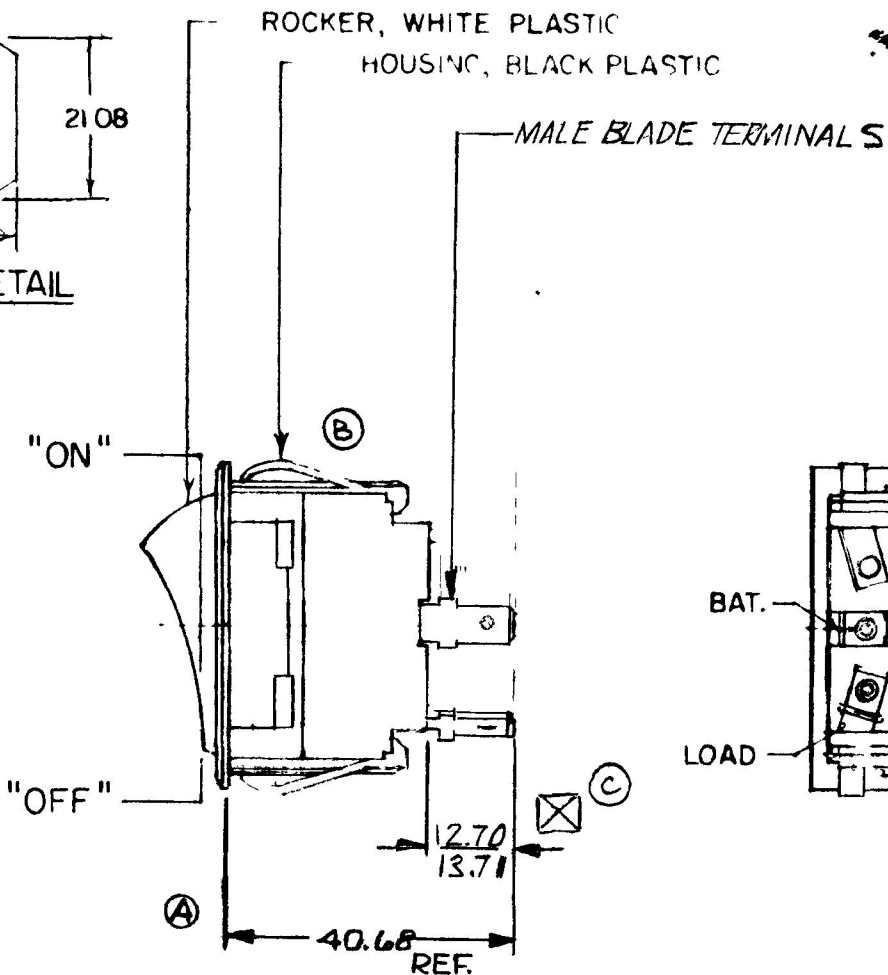
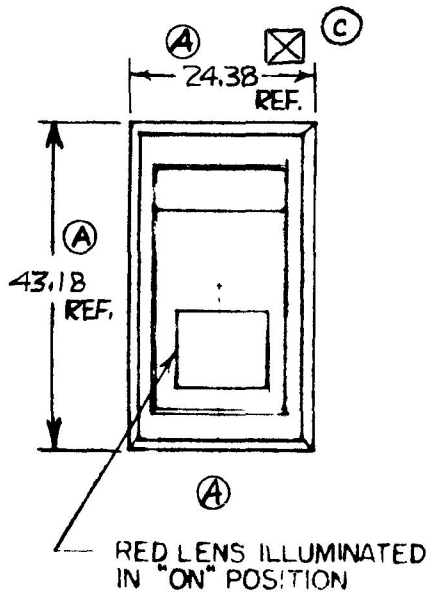


57300-22



MOUNTING HOLE DETAIL



- NOTE
1. WEATHERPROOF
 2. SILVER CONTACTS
 3. HEAVY DUTY
 4. 25 AMPS @ 12VDC LAMP LOAD

METRIC

LET	WAS	DATE	BY	LET	WAS	DATE	BY	MATERIAL	DRAWN	HECKED	APPRVD	SCALE	57300-01 WEATHERPROOF	DATE DRAWN
								NOTES		72190				7-24-80
				C	ADD SYMBOL	2/25/92	AF	FINISH	 Cole Hersee Co. <small>100 COLONY AVENUE SOUTH BOSTON MA USA 02127</small>					DATE BLUEPRINT
				B	ECN 23335	12-11-86	ZU							
					ISSUED	10-7-81	RJP	TOLERANCES	SPST ROCKER SWITCH WITH PILOT LIGHT					57300-22
				A	REVISED	3-21-81	KY	DECIMAL ±						

CH 1884-78)