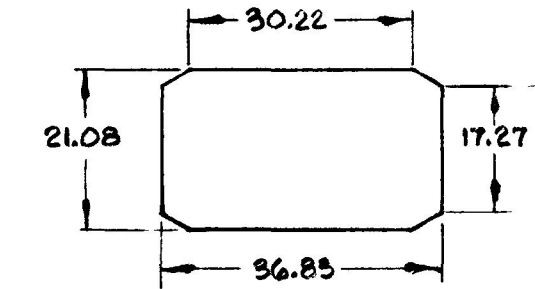


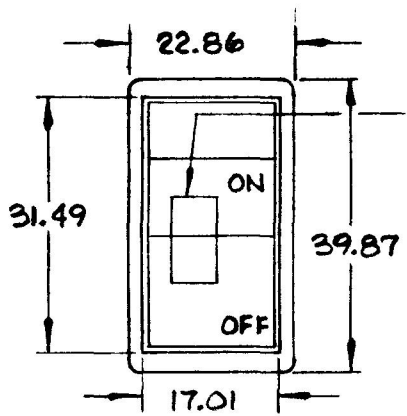
57300-11

MM. IN.
 0.25 .010
 2.28 .090
 12.70 .500
 13.71 .540
 17.01 .670
 17.27 .680
 21.08 .830
 27.94 1.100
 30.22 1.190
 31.49 1.240
 36.83 1.450
 39.87 1.570
 22.86 .900

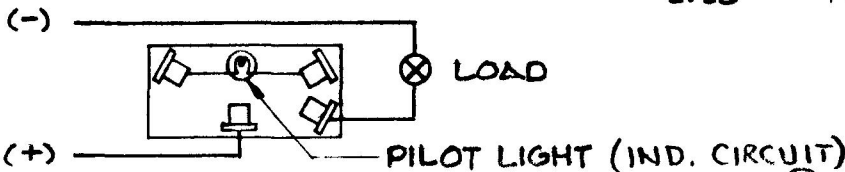
COLE-HERSEE CO.
 NPM 10-2-73
 EX-16801



MOUNTING HOLE DETAIL

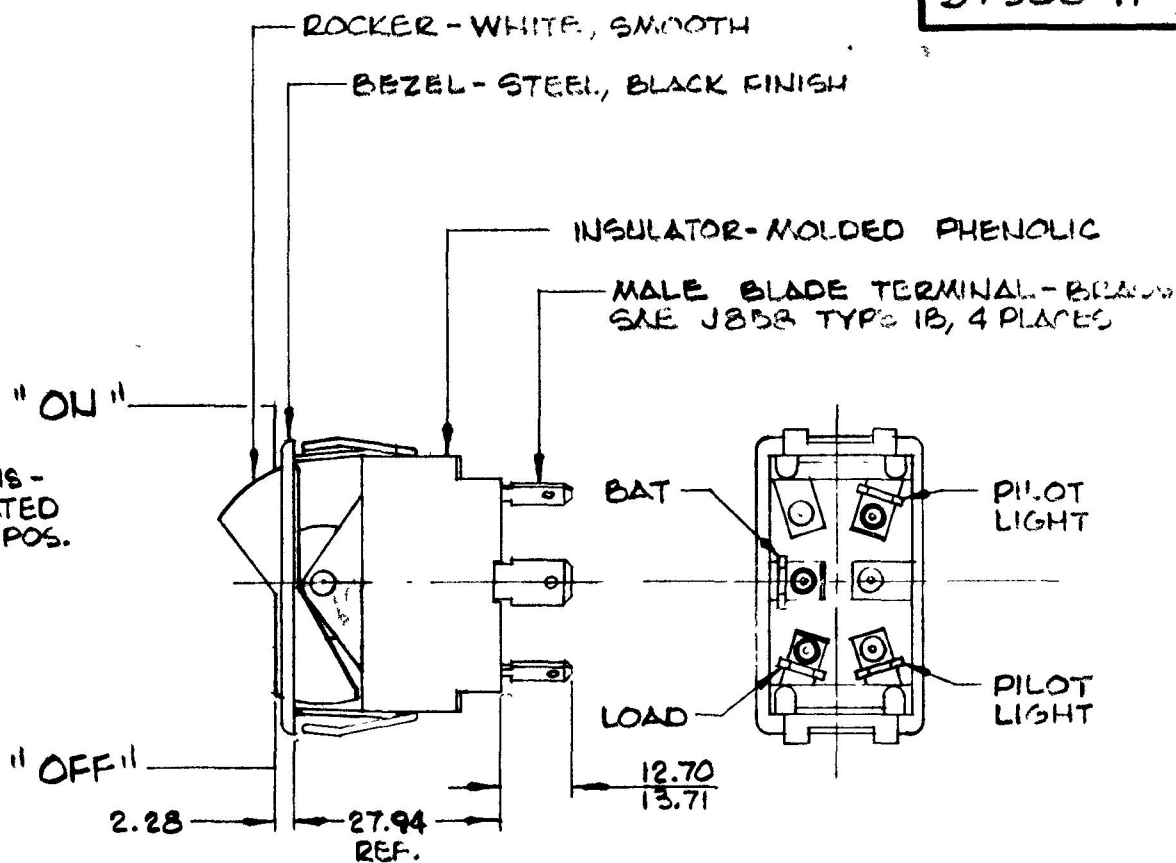


RED LENS - ILLUMINATED IN "ON" POS.



CIRCUIT DIAGRAM

METRIC



- NOTES:
1. SILVER CONTACT RIVETS AND SILVER CONTACT PAD.
 2. 25 AMPS @ 12 VDC LAMP LOAD.
 3. HEAVY DUTY

DO NOT SCALE

LET	WAS	DATE	BY	LET	WAS	DATE	BY	MATERIAL	DRAWN	CHECKED	APPR'D	SCALE	DATE DRAWN
								— II —	S.E.	7/26/73		1:1	9-26-73
								FINISH	COLE-HERSEE COMPANY BOSTON, MASS. 02127, U.S.A.				DATE BLUEPRINT
								— II —					DATE DRAWN
				D	ALSO IND. CIRCUIT	7-2-82	WJF	TOLERANCES	ROCKER SWITCH				57300-11
				C	REL. DIMEN METRIC	6-18-76	KG	FRACTIONAL ±					
								DECIMAL ±0.25					