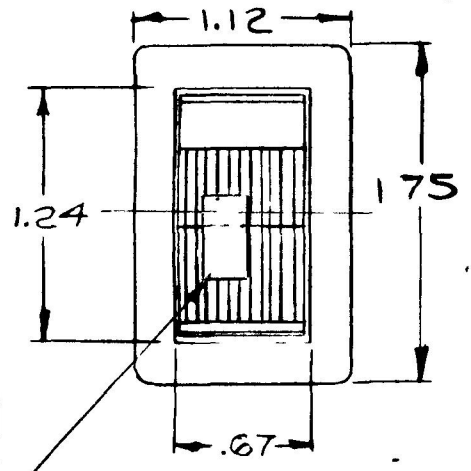
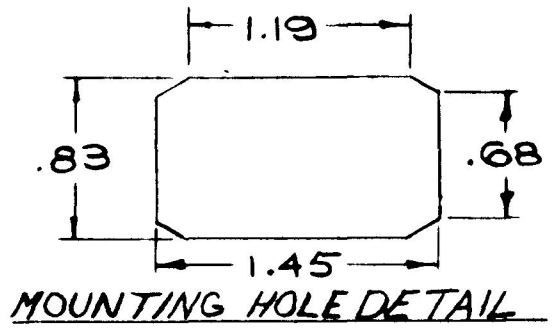


57300-10

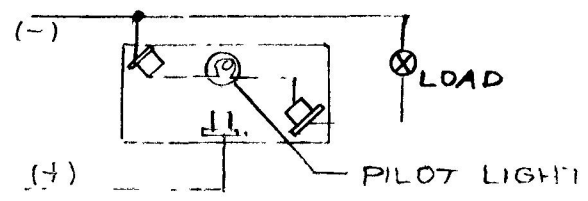
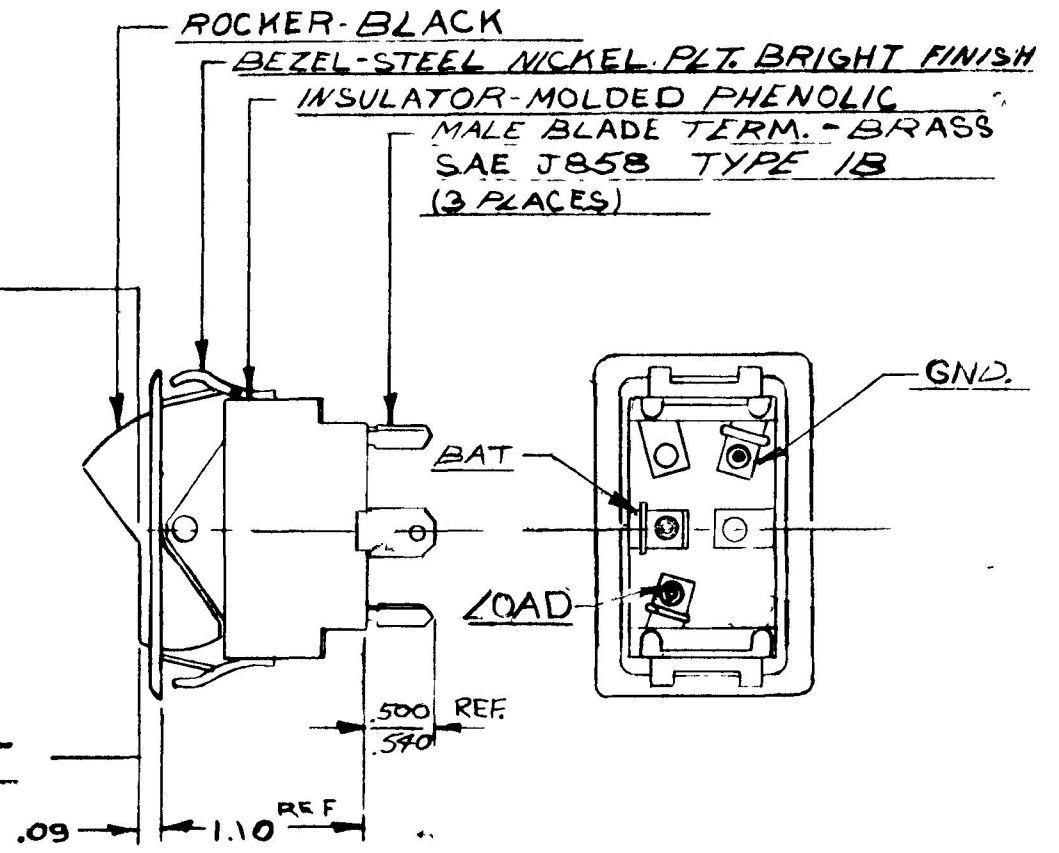
COLE-HERSEE CO.



RED LENS ILLUMINATED IN "ON" POS

ON

OFF



25 AMPS @ 12VDC LAMP LOAD

NOTE:

SILVER CONTACT RIVETS AND SILVER CONTACT PADS

HEAVY DUTY

DO NOT SCALE

LET	WAS	DATE	BY	LET	WAS	DATE	BY	MATERIAL	DRAWN	CHECKED	APPRV'D	SCALE	57300-02 WITH BLACK ROCKER	DATE DRAWN
								#	E	12/13		1/1		9-24-73
								FINISH	<b>COLE-HERSEE COMPANY</b> BOSTON, MASS 02127, U S A					DATE BLUEPRINT
								TOLERANCES	ST ST ROCKER SWITCH WITH PILOT LIGHT					57300-10
								FRACTIONAL ±						
								DECIMAL ±						
					ISSUED	9/25/73								