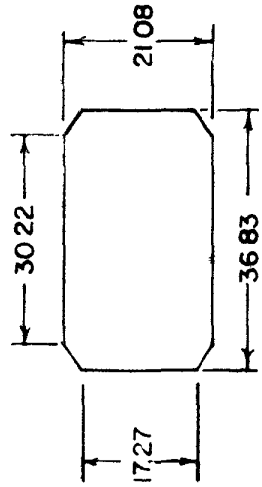


MM
 7.62
 12.70
 15.75
 17.27
 24.08
 22.86
 27.94
 31.49
 36.05
 44.45
 28.44

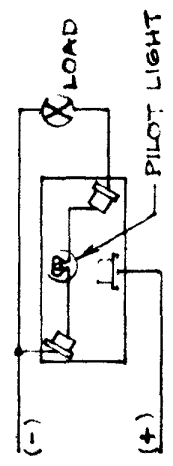
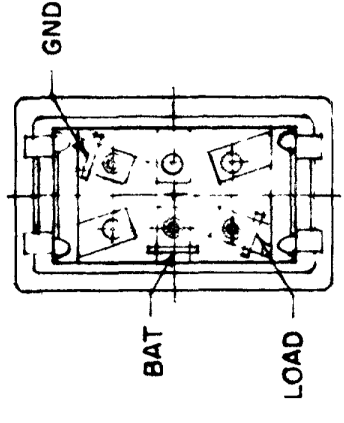
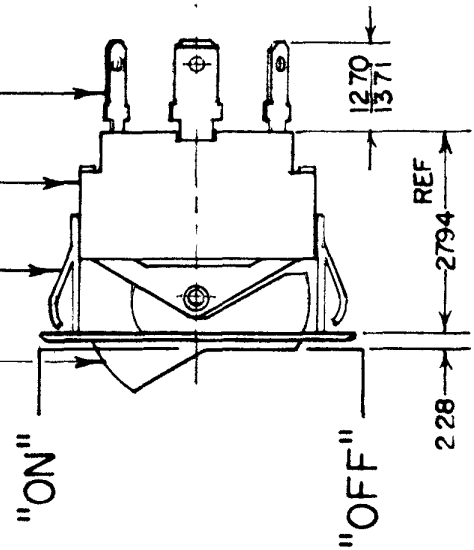
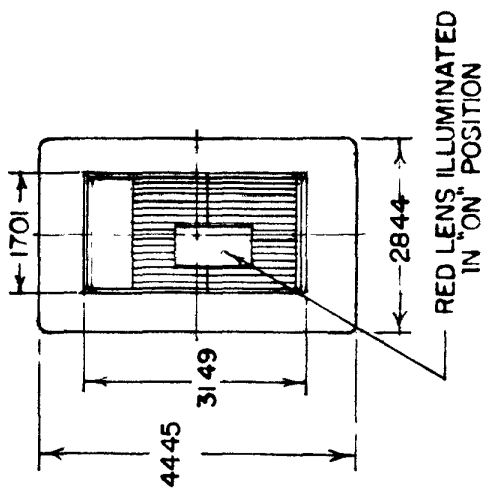
57300-02
 57300-06



MOUNTING HOLE DETAIL

ROCKER, WHITE
 BEZEL, NICKEL PLT, BRIGHT FINISH
 TERM INSUL
 MALE BLADE TERM (3 REQ'D)

57300-06 SAME AS 57300-02 EXCEPT
 BEZEL, NICKEL PLT, DULL FINISH



NOTE
 1. HEAVY DUTY
 2. SILVER CONTACTS
 3. 25 AMPS AT 12 VDC LAMP LOAD

METRIC

LET	WAS	DATE	BY	WAS	DATE	BY	MATERIAL	DRWN	CHECKED	APPROVED	SCALE	DATE DRAWN
								CF			1:1	10-4-67
							FINISH					DATE BLUEPRINT
							TOLERANCES DECIMAL ± .25 METRIC ± .25		Cole Hersee Co. <small>ROCKLEDGE PLANT, ROCKLEDGE, MINN. U.S.A. 55127</small>			
									SP-ST ROCKER SWITCH WITH PILOT LIGHT			57300-02 57300-06

(CH 18674.78)