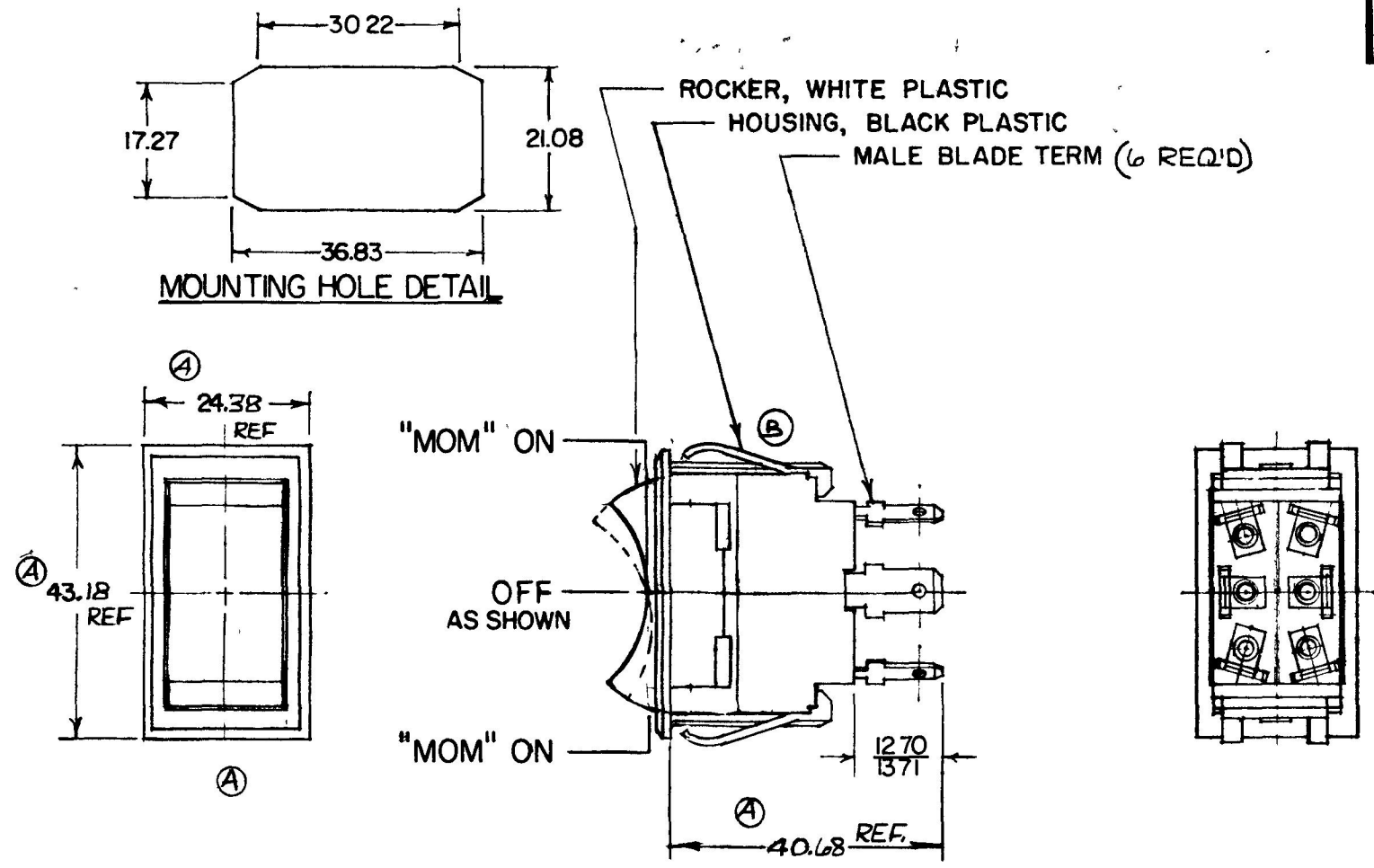


MM	IN
.25	.010
12.70	.500
13.71	.540
17.27	.680
11.08	.436
24.38	.960
30.22	1.190
31.49	1.240
36.83	1.450
40.68	1.601
43.18	1.700


57013-08



METRIC

- NOTE
- 1 . WEATHERPROOF
 - 2 . SILVER CONTACTS
 - 3 . HEAVY DUTY
 - 4 . 25 AMPS @ 12 VDC LAMP LOAD

DO NOT SCALE

LET	WAS	DATE	BY	LET	WAS	DATE	BY	MATERIAL	DRAWN	CHECKED	APPRV D	SCALE	57013-08 EXCEPT WEATHERPROOF CONSTRUCTION	DATE DRAWN	
								NOTED	RMT	8-22-80		1:1		7-24-80	
								FINISH	 30 OLD COLONY AVENUE SOUTH BOSTON MA U.S.A. 02127					DATE BLUEPRINT	
					B	ECN 23335	12-11-86	ZU							
					A	REV. 213410	3-20-81	RJ	TOLERANCES	DPDT ("MOM" ON-OFF-"MOM" ON) ROCKER SWITCH					57013-08
						ISSUED	10-7-80	1218	DECIMAL ±						
									METRIC ± .25						

CH-188(4-78)