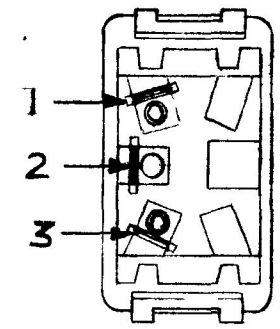
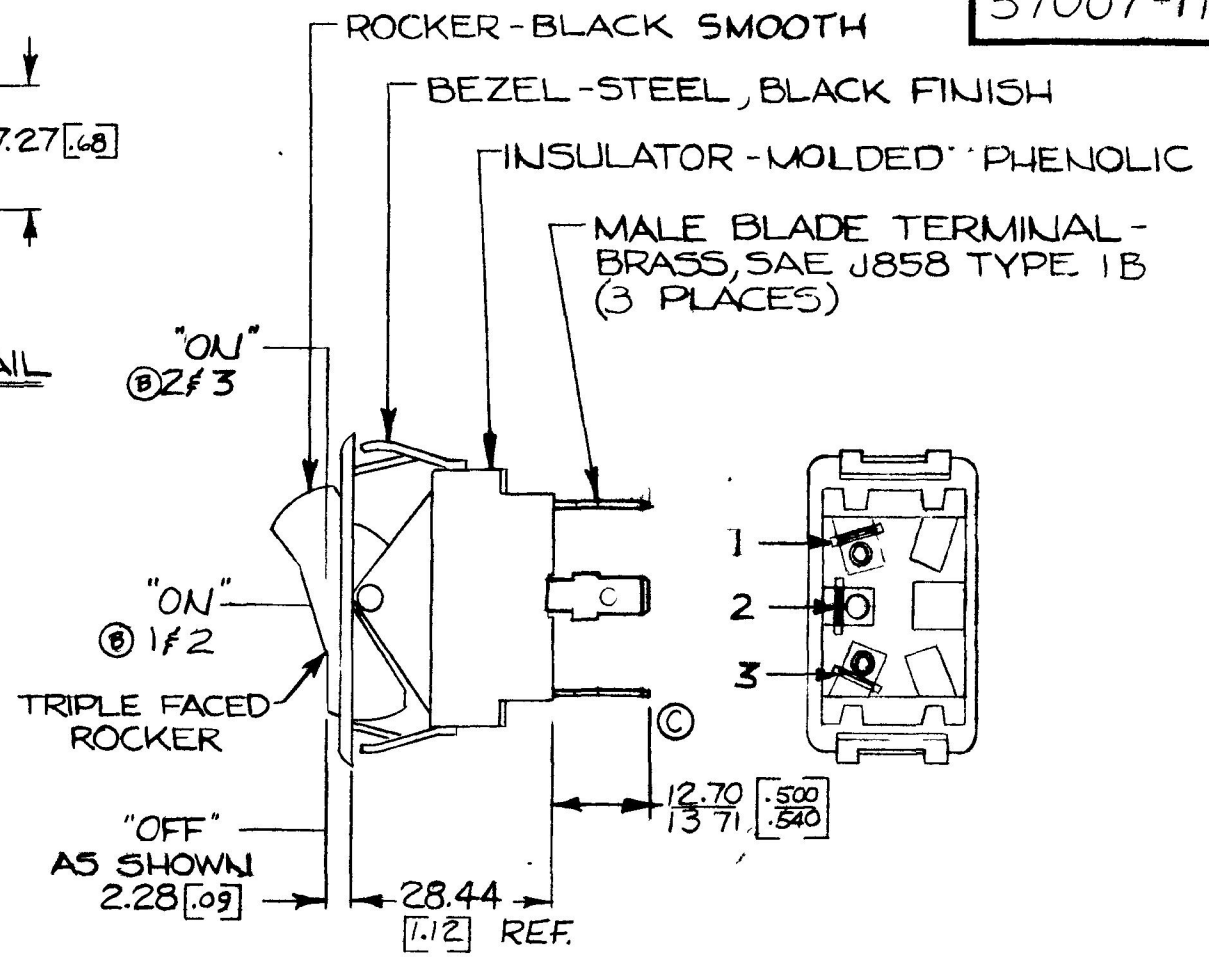
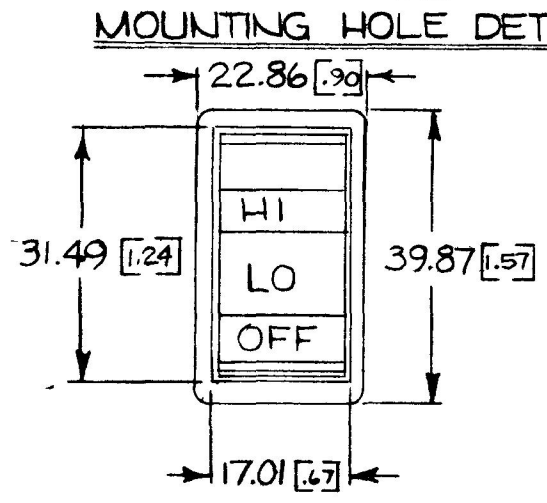
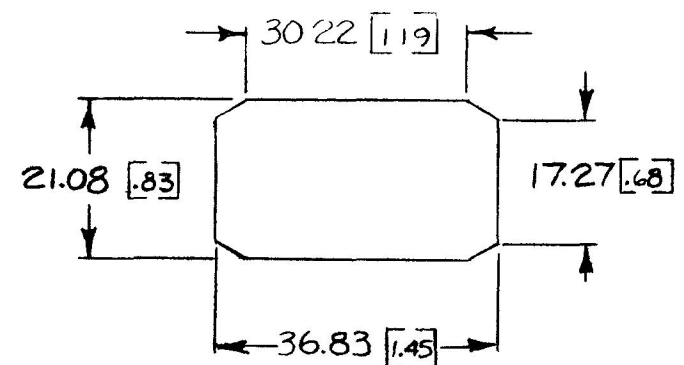


COLE-HERSEE CO.
NPM

57007-11



DIMENSIONS: MILLIMETERS [INCHES]

15 AMPS @ 12 VDC LAMP LOAD

DO NOT SCALE

LET	WAS	DATE	BY	LET	WAS	DATE	BY	MATERIAL	DRAWN	CHECKED	APPRV'D	SCALE	NOTE	DATE DRAWN
								—H—	JWH	FF		1:1	BASIC, WITH TRIPLE BLACK ROCKER & BLK NARROW BEZEL	8-22-75
				C	REV TERMS	1-8-76	CS	FINISH					COLE-HERSEE COMPANY BOSTON, MASS 02127, U.S.A.	DATE BLUEPRINT
				B	ADD CIRCUITRY	10-5-81	DR	TOLERANCES					SPD.T. HEATER ROCKER SWITCH	57007-11
				A	REV/20848	12-28-79	VA	FRACTIONAL ±						
					ISSUED	4-18-79	Y	DECIMAL ±015						

SPAULDING CO., INC 21-55259