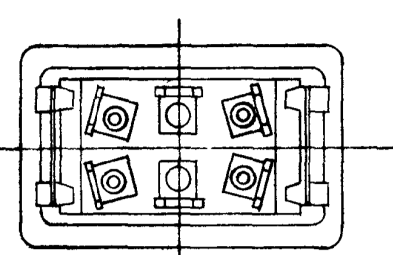
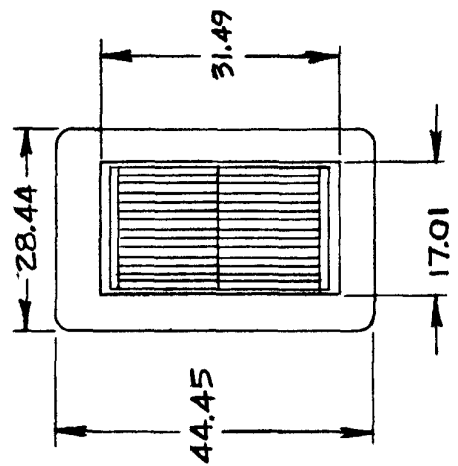
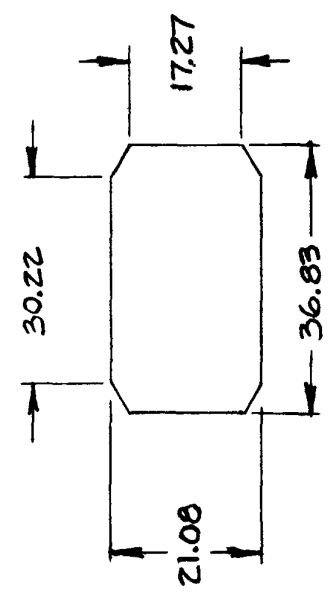
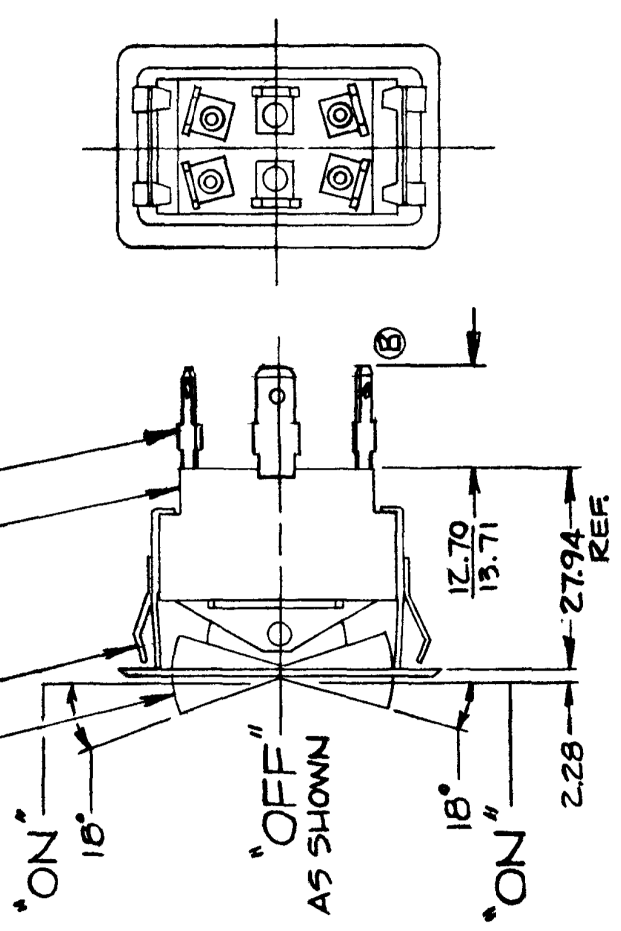


MM	IN.
.25	.010
2.25	.090
12.70	.500
15.71	.620
17.01	.670
17.77	.700
21.08	.830
27.94	1.100
28.44	1.120
30.22	1.190
31.49	1.240
36.83	1.450
44.45	1.750

COLE-HERSEE CO.

57006-02
57006-06

ROCKER, WHITE (A)
BEZEL, STEEL, NICKEL P.L.T.,
BRIGHT FINISH
INSULATOR, MOLDED PHENOLIC
MALE BLADE TERM., BRASS
SAE J858 TYPE 1B (6 REQ'D)



METRIC

NOTES:
1) 25 AMPS @ 12 VDC LAMP LOAD
2) SILVER CONTACT RIVETS AND
SILVER CONTACT PAD.

HEAVY DUTY

57006-06 SAME AS 57006-02
EXCEPT BEZEL NICKEL P.L.T.
DULL FINISH.

DO NOT SCALE

LET	WAS	DATE	BY	LET	WAS	DATE	BY	MATERIAL	DRAWN	CHECKED	APPR'D	SCALE	BASIC WITH WIDE BEZEL	DATE DRAWN
								#	KG	TY	8-3-76	1:1		7-30-76
								FINISH					COLE-HERSEE COMPANY	DATE BLUEPRINT
								TOLERANCES					BOSTON, MASS. 02127, U.S.A.	
								FRACTIONAL ±					DOUBLE POLE DOUBLE THROW	57006-02
								DECIMAL ±					ROCKER SWITCH	57006-06

SPAULDING CO., INC. 21-56481