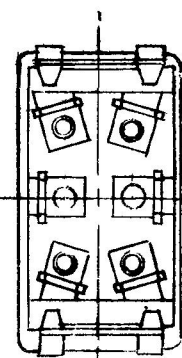
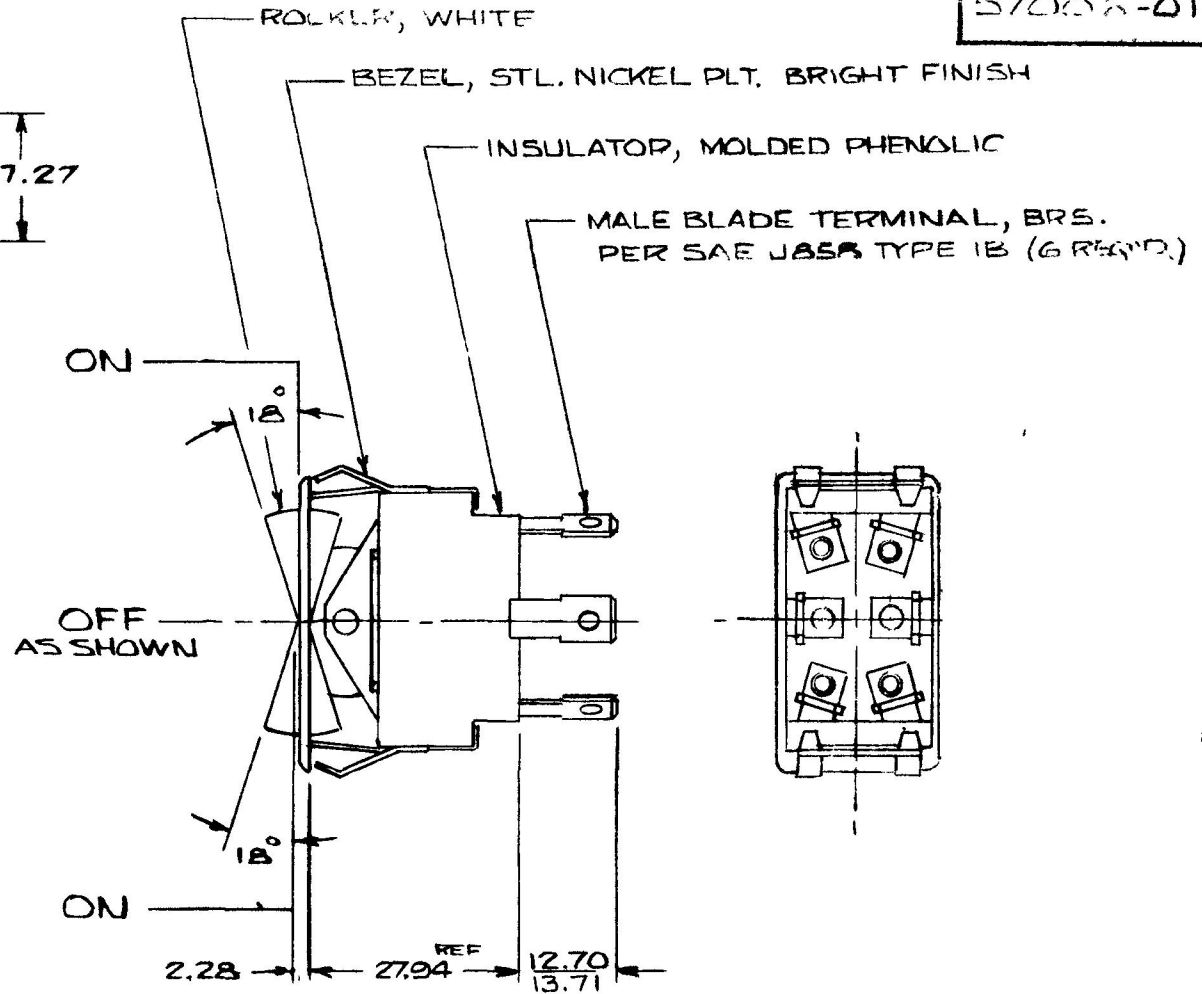
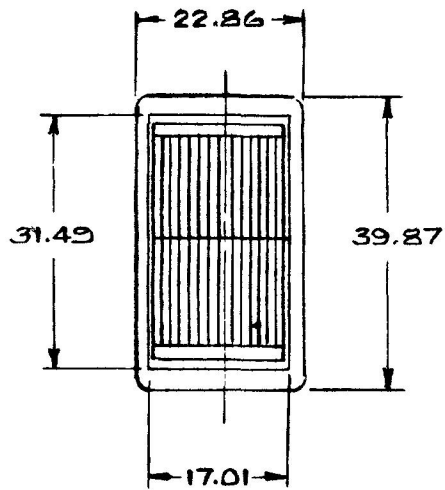
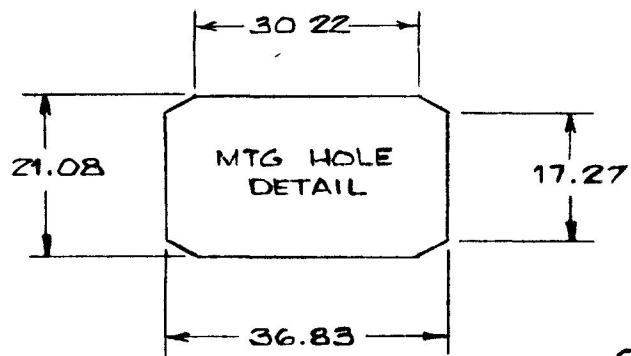


MM IN
 38 .015
 2.28 .09
 12.70 .50
 13.71 .54
 17.01 .67
 17.27 .68
 21.08 .83
 22.86 .90
 27.94 1.10
 30.22 1.19
 31.49 1.24
 36.83 1.45
 39.87 1.57

57006-01




NOTE: 1. 25 AMPS @ 12 VDC LAMP LOAD
 2. SILVER CONTACT RIVETS AND SILVER CONTACT PAD

METRIC

HEAVY DUTY

DO NOT SCALE

LET	WAS	DATE	BY	LET	WAS	DATE	BY	MATERIAL	DRAWN	CHECKED	APPRV'D	SCALE	DATE DRAWN
								✓	CT			FULL	12-11-72
								FINISH					DATE BLUEPRINT
								TOLERANCES	 Cole Hersee Co. <small>20 OLD COLONY AVENUE SOUTH BOSTON MA U.S.A. 02127</small>				
							FRACTIONAL ±	DP-DT. ROCKER SW.					57006-01
				E	REDRAWN	12 6 7	EA	DECIMAL ±.38					

CH-188 (4-78)