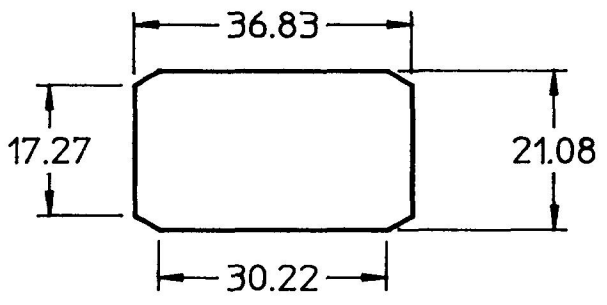
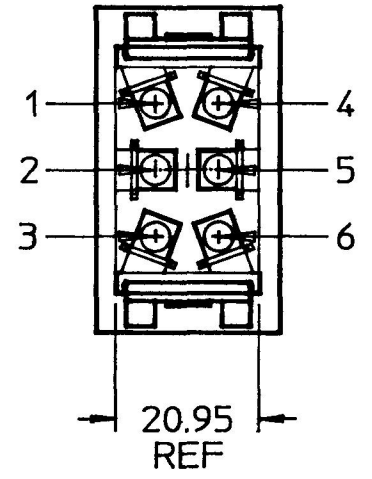
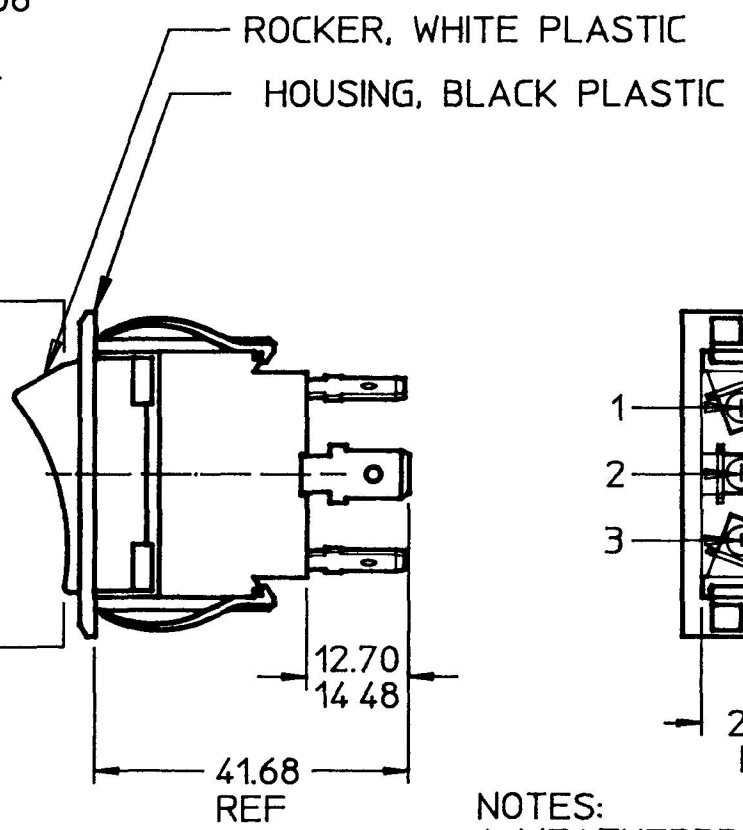
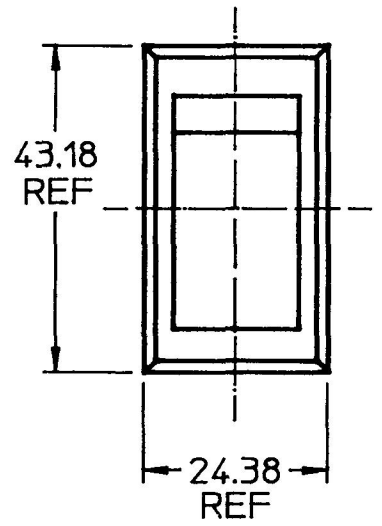


MM	IN
12.70	0.500
14.48	0.570
17.27	0.680
20.95	0.825
21.08	0.830
24.38	0.960
30.22	1.190
36.83	1.450
41.68	1.641
43.18	1.700



MTG. HOLE DETAIL



ROCKER, WHITE PLASTIC
HOUSING, BLACK PLASTIC

- NOTES:
 1. WEATHERPROOF
 2. SILVER CONTACTS
 3. HEAVY DUTY
 4. 25 AMPS @ 12VDC LAMP LOAD

METRIC

DO NOT SCALE

LET.	WAS	DATE	BY	LET	WAS	DATE	BY	MATERIAL	DRAWN	CHK	APVD	SCALE		DATE DRAWN
									RO	80		1:1	EX24018	6/28/90
								FINISH	Cole Hersee Co. 20 OLD COLONY AVENUE, BOSTON, MA, U.S.A. 02127					DATE BLUEPRINTED
								TOLERANCES DECIMAL ± ANGLE ±						SW, ROCKER DPDT
					ISSUED	6/29/90	AF							