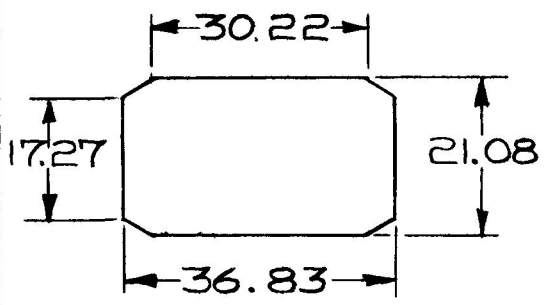


MM IN
25 .010

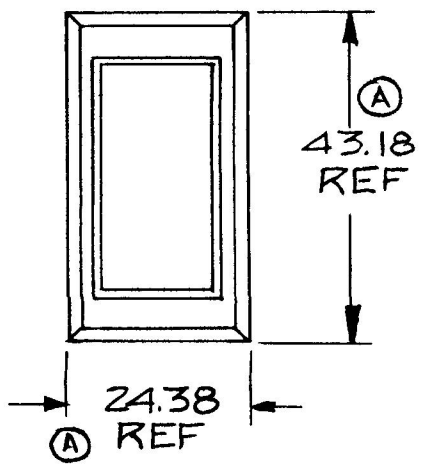
12.70 .500
13.71 .540
17.27 .680
21.08 .830
24.38 .960
30.22 1.190
36.83 1.450
40.68 1.600
43.18 1.700

REF
SCREW
56012-04

57004-10



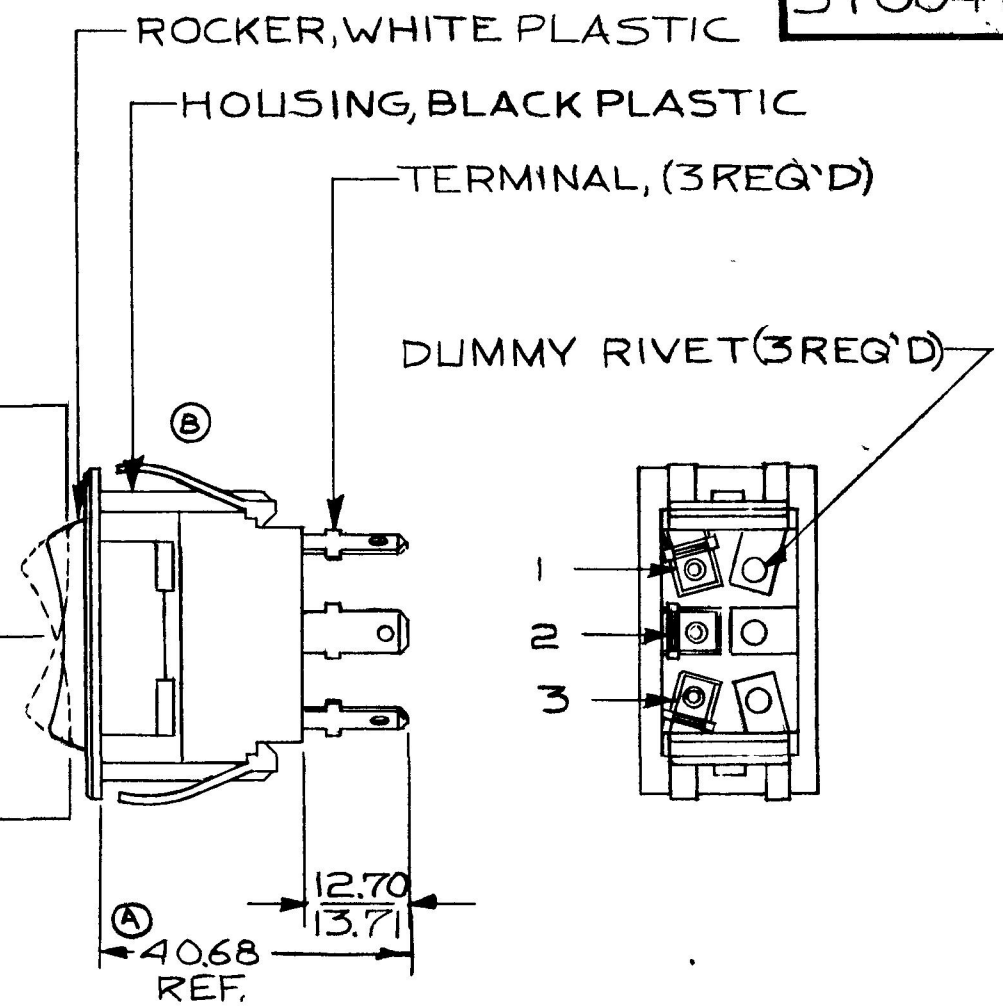
MOUNTING HOLE DETAIL



METRIC

"MOM." ON
(2 & 3)

"MOM." ON
(1 & 2)



- NOTES:
1. WEATHERPROOF
 2. SILVERED CONTACTS
 3. HEAVY DUTY
 4. 25 AMPS @ 12VDC LAMP LOAD

DO NOT SCALE

LET	WAS	DATE	BY	LET	WAS	DATE	BY	MATERIAL	DRAWN	CHECKED	APPRV D	SCALE	57004-01 EXCEPT WEATHERPROOF	DATE DRAWN
								#	DPS	8-13-80		1:1		8-13-80
								FINISH						DATE BLUEPRINT
				B	ECN 23335	12-11-86	ZU							
					ISSUED	5-5-81	RJF	TOLERANCES						
				A	REVISED	3-30-81	RJF	DECIMAL ± METRIC ±.25					MOM.S.P.ROCKERSW.57004-10	

CH Cole Hersee Co.
20 OLD COLONY AVENUE SOUTH BOSTON MA U.S.A 02127

CH-188(4-78)