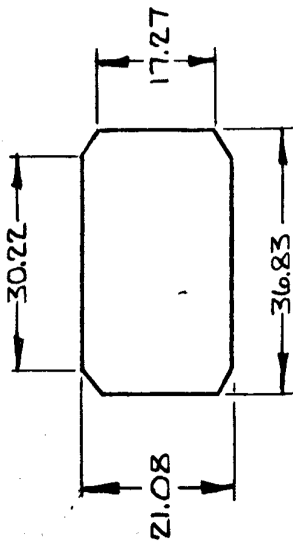
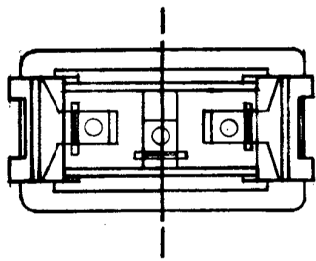
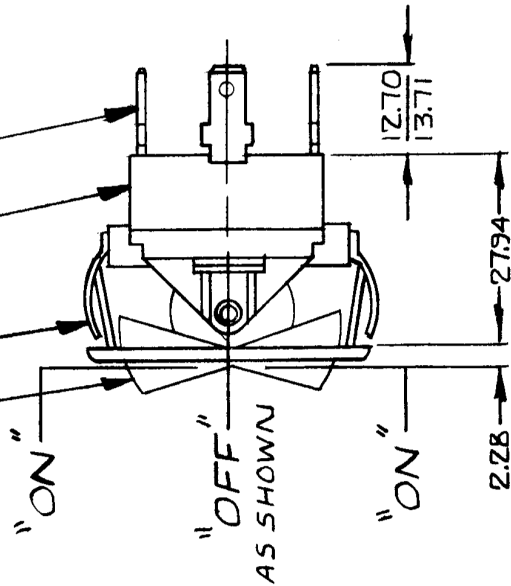
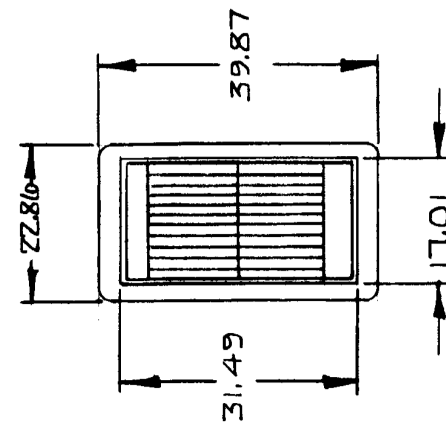


57003-01  
57003-05

MM	IN
.25	.010
1.27	.090
13.71	5.40
17.01	6.70
17.27	.830
21.08	.900
27.94	1.100
30.22	1.190
31.49	1.240
36.83	1.450
39.87	1.570



ROCKER, WHITE  
BEZEL, NICKEL PLATE BRIGHT FINISH  
INSULATOR  
BLADE TERMINAL  
(3 REQ'D)



METRIC

57003-05 SAME AS 57003-01  
EXCEPT BEZEL NICKEL PLATE  
DULL FINISH

- NOTES:
1. SILVER CONTACT SURFACES.
  2. HEAVY DUTY.
  3. 25 AMPS @ 12V DC LAMP LOAD.
  4. ALL STEEL PARTS PLATED.
  5. ALL DIM'S. ARE REF. ONLY.

DO NOT SCALE

LET.	WAS	DATE	BY	LET	WAS	DATE	BY	MATERIAL	FINISH	TOLERANCES DECIMAL ± METRIC ±			
								CF	#				
								CF	#				
								SCALE	APPROV'D	CHECKED	DRAWN	DATE DRAWN	
								1:1			CF	57003 W/NARROW BEZEL REPLACING BRACKET.	3-12-68
								 <b>Cole Hersee Co.</b> 10 OLD COLONY AVENUE, SOUTH BOSTON, MA, U.S.A. 02127				DATE BLUEPRINT	
										S.P. - D.T. ROCKER SW.		57003-01 57003-05	