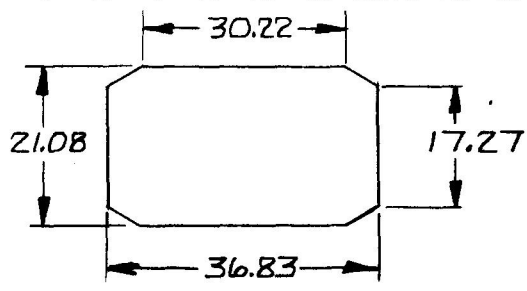


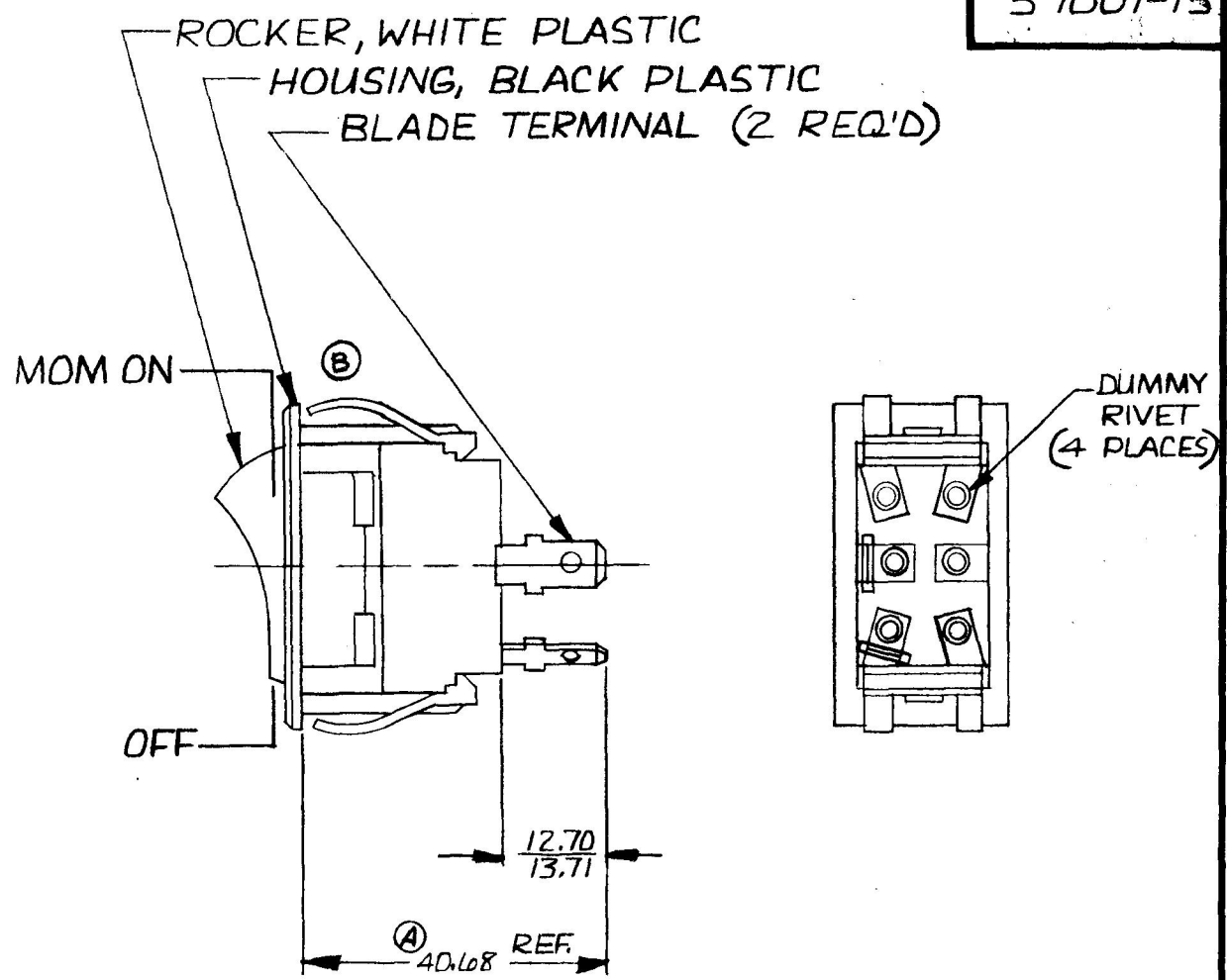
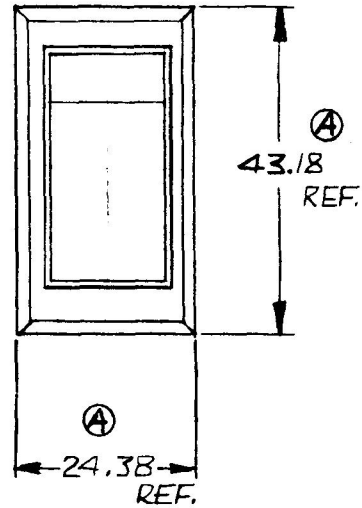
MN W

25	.010
38	.015
10.31	.404
12.70	.500
13.71	.540
17.27	.680
21.08	.830
24.38	.960
30.22	1.190
36.88	1.450
40.68	1.600
43.18	1.700

57001-15



MTG. HOLE DETAIL



- NOTES: ④
1. WEATHERPROOF
 2. SILVER CONTACTS
 3. HEAVYDUTY
 4. 25 AMPS @ 12VDC LAMP LOAD

METRIC

DO NOT SCALE

LET.	WAS	DATE	BY	LET	WAS	DATE	BY	MATERIAL	DRAWN	CHECKED	APPRV'D.	SCALE	57001-01 WEATHERPROOF	DATE DRAWN
								H	R	RJZ		1:1		2-11-81
								FINISH						DATE BLUEPRINT
				B	ECN 23335	12-11-86	20							
					Issue	10-2-81	RJR	TOLERANCES						
				A	REVISED	9-24-81		DECIMAL ±						
								METRIC ± .25						
S.P. S.T. ROCKER SWITCH														57001-15

EX18846-I 15X19072

CH-188(4-78)