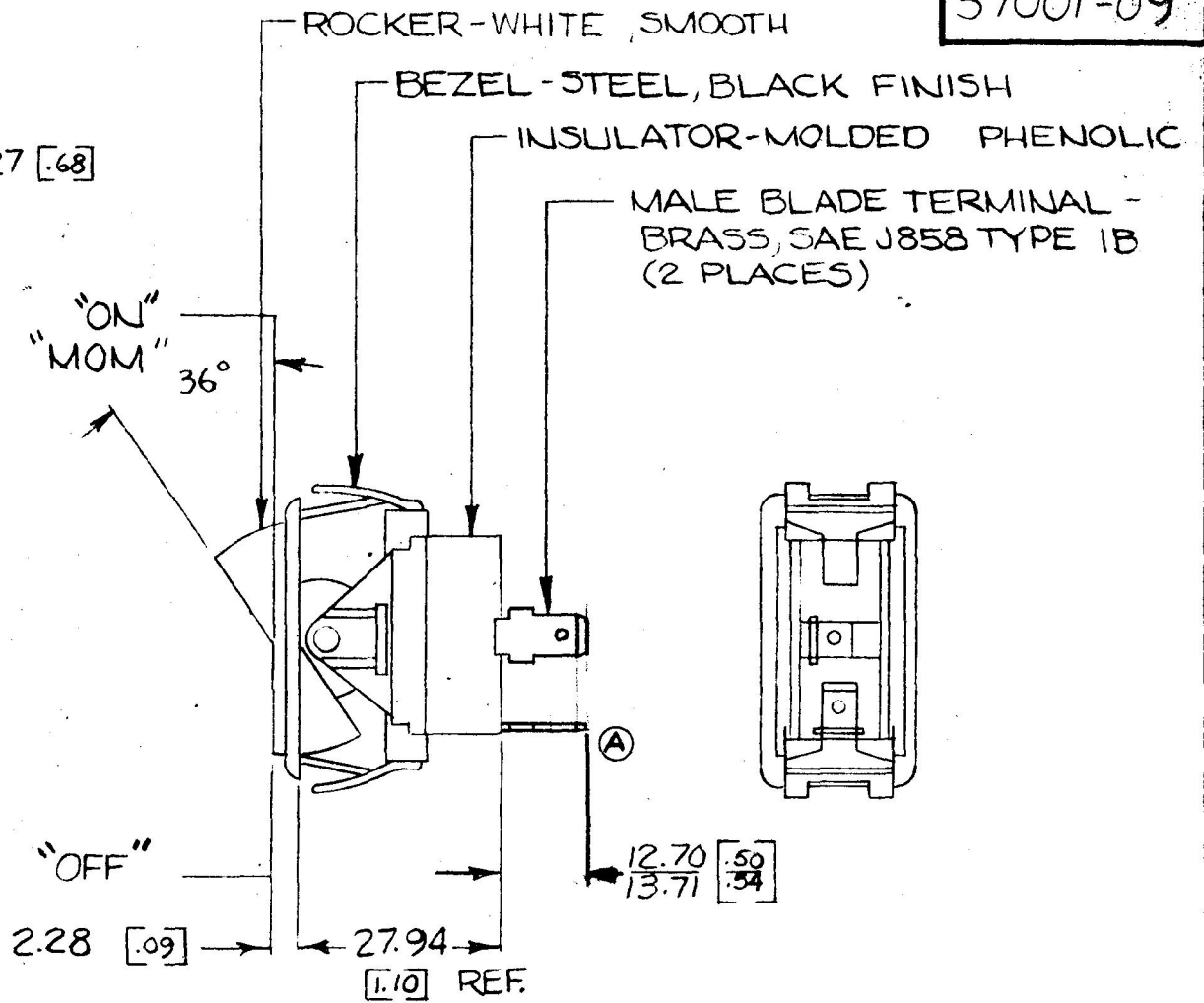
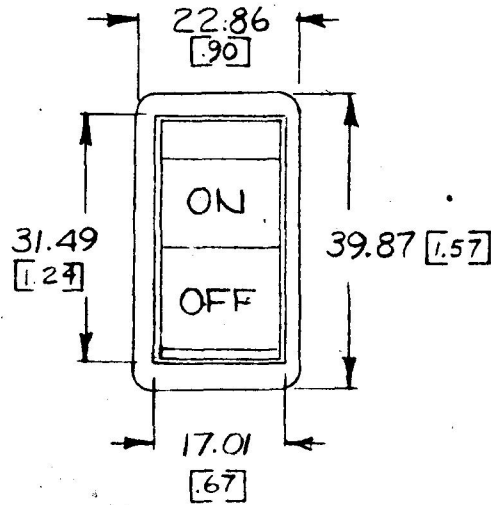
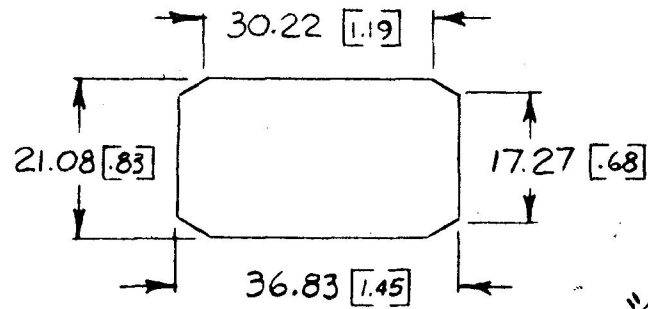


COLF-HERSEE CO. N.P.M. 1-5-76

57001-09



HEAVY DUTY

DIMENSIONS: MILLIMETERS [INCHES]

NOTE:
1) SILVER CONTACT RIVETS AND SILVER CONTACT PAD.

25 AMPS @ 12VDC LAMP LOAD

DO NOT SCALE

LET	WAS	DATE	BY	LET	WAS	DATE	BY	MATERIAL	DRAWN	CHECKED	APPR'D.	SCALE	BASIC-01 W/WHIT. IMPRINT ROCKER & BLACK BEZEL	DATE DRAWN
								—H—	KG	R		1:1		10-10-75
								FINISH						DATE BLUEPRINT
								—H—					COLE-HERSEE COMPANY	
													BOSTON, MASS. 02127, U.S.A.	
				A	REV	TERMS	1-11-82	TOLERANCES					SINGLE POLE SINGLE THROW	57001-09
					ISSUED		1-30-76	FRACTIONAL ±					ROCKER SWITCH	
								DECIMAL ± .05						

SPAULDING CO., INC. 21-55289