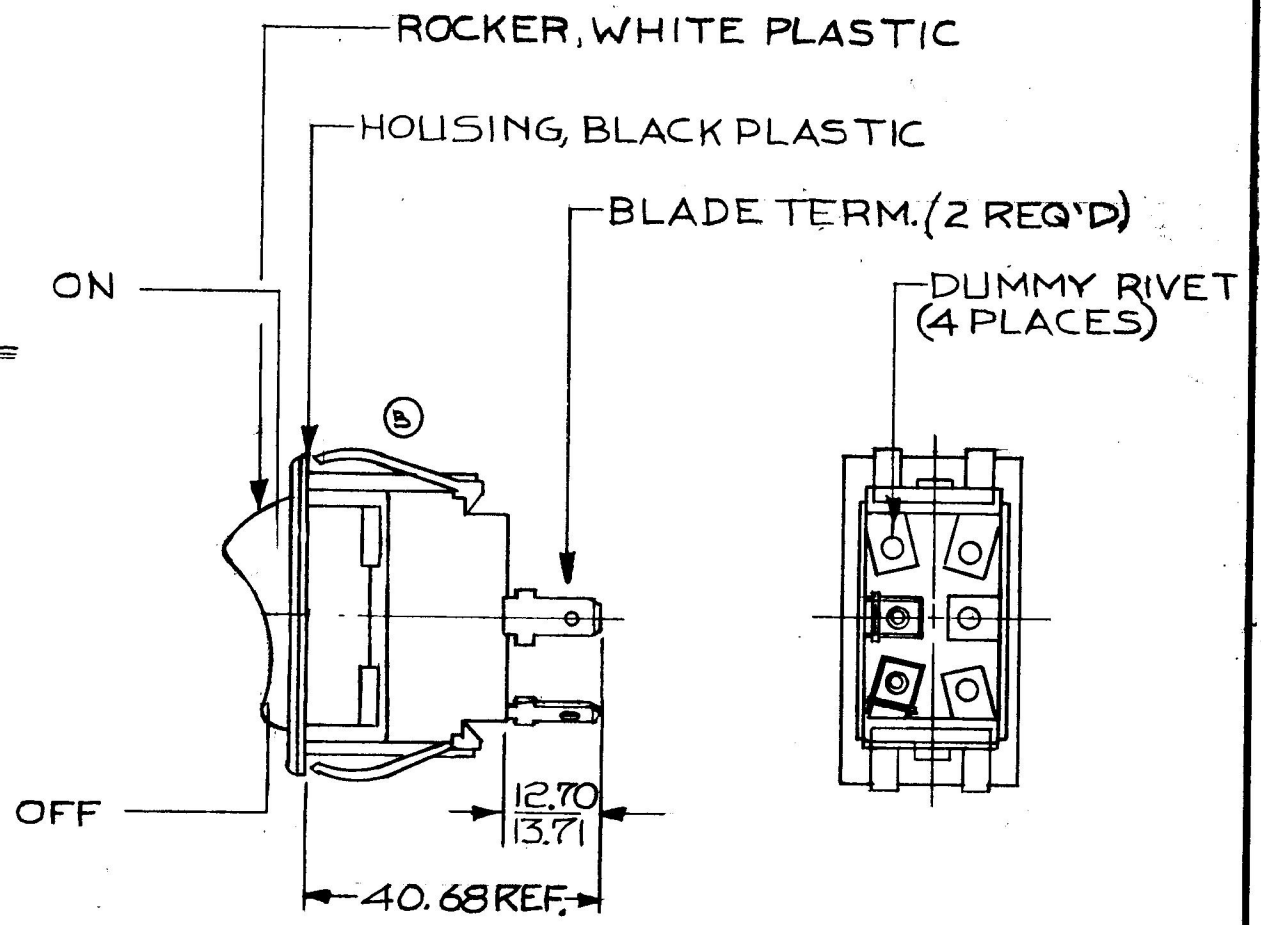
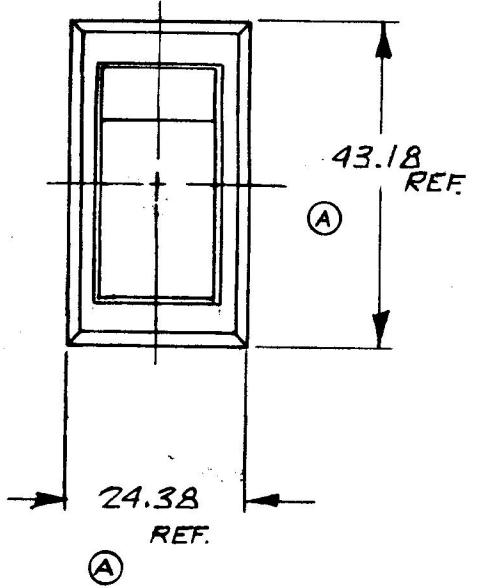
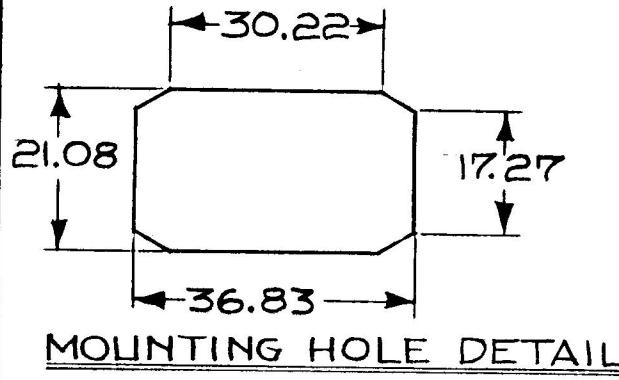


MM	IN
.25	.010
12.70	.500
13.71	.540
17.27	.680
21.08	.830
24.38	.960
30.22	1.190
36.83	1.450
40.68	1.600
43.18	1.700



- NOTES:
1. WEATHER PROOF
  2. SILVER CONTACTS
  3. HEAVY DUTY
  4. 25AMPS @ 12VDC LAMP LOAD

METRIC

DO NOT SCALE

ET.	WAS	DATE	BY	LET	WAS	DATE	BY	MATERIAL	DRAWN	CHECKED	APPRV'D.	SCALE	BASIC-01 EXCEPT WEATHERPROOF	DATE DRAWN
									DPS			1:1		7-22-80
								FINISH						DATE BLUEPRINT
				B	ECN 23335	12-11-86	ZU		 Cole Hersee Co. <small>20 OLD COLONY AVENUE, SOUTH BOSTON MA, U.S.A. 02127</small>					
					ISSUED	5-5-81	RJP	TOLERANCES						S.P.S.T ROCKER SWITCH
			A	REVISED	4-21-81	EA	DECIMAL ±							
								METRIC ±.25						