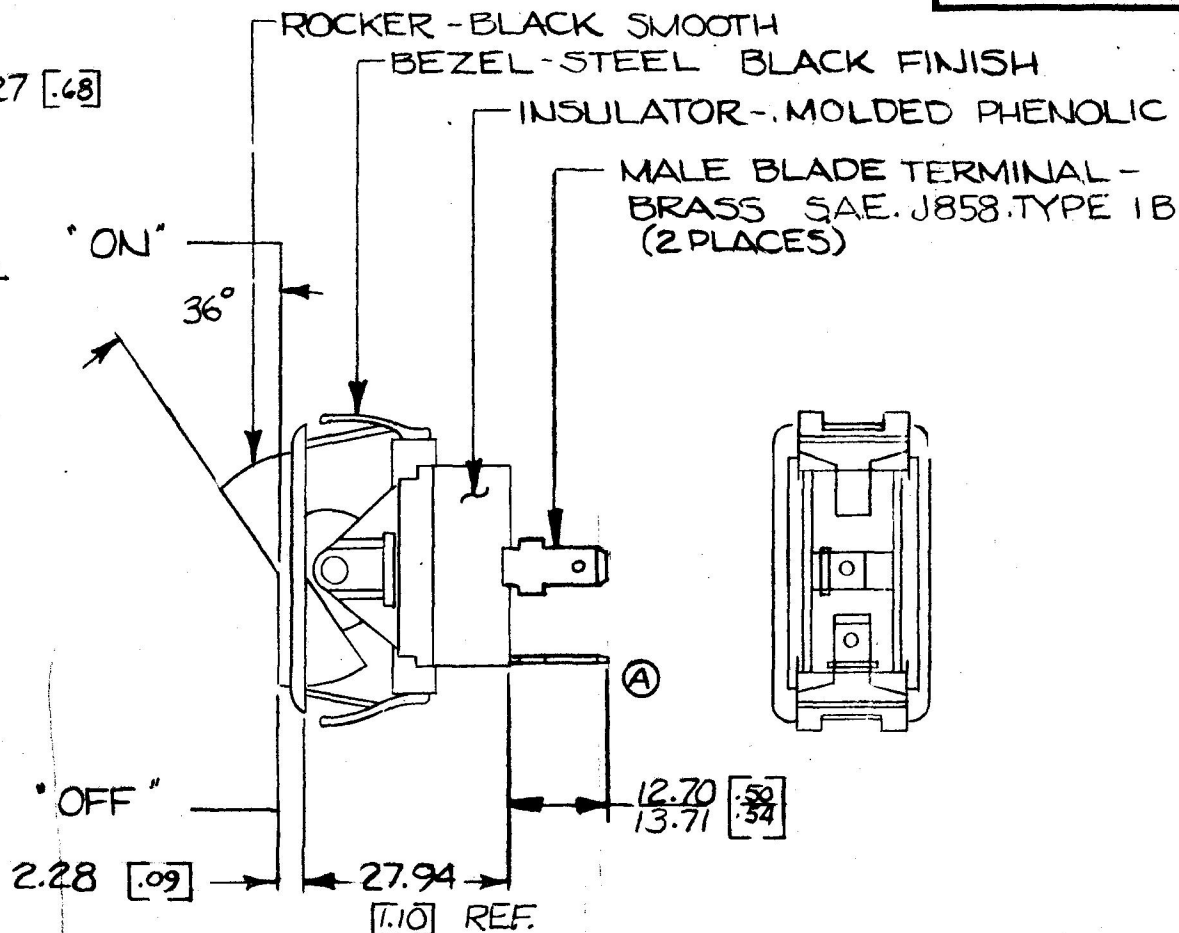
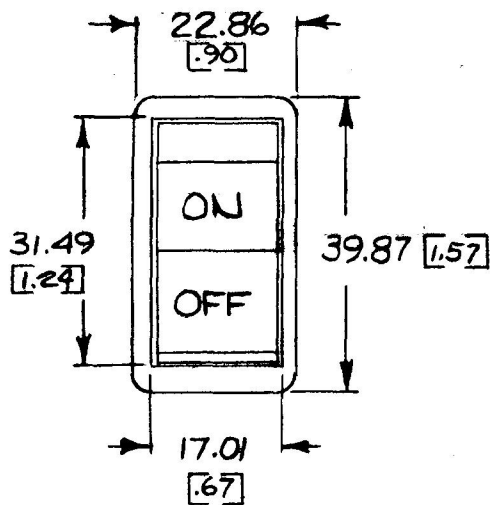
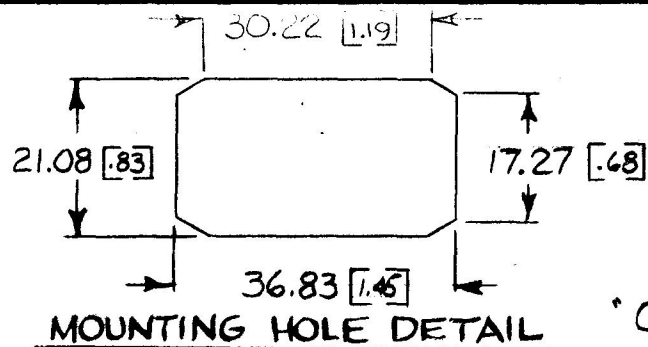


COLE-HERSEE CO. N.P.M. 1-5-76

57000-10



HEAVY DUTY

25 AMPS @ 12 VDC LAMP LOAD

NOTE:

- 1) DIMENSIONS: MILLIMETERS [INCHES]
- 2) SILVER CONTACT RIVETS AND SILVER CONTACT PAD

DO NOT SCALE

| LET | WAS | DATE | BY | LET | WAS | DATE | BY | MATERIAL | DRAWN | CHECKED | APPR'D. | SCALE | 57000-01, EXCEPT W/ SMOOTH BLK ROCKER & BLACK BEZEL | DATE DRAWN |
|-----|-----|------|----|-----|-----------|---------|-----|---------------|---|---------|---------|-------|---|----------------|
| | | | | | | | | —//— | JWH | 9-2-75 | | FULL | | 8-14-75 |
| | | | | | | | | FINISH | COLE-HERSEE COMPANY BOSTON, MASS. 02127, U.S.A. | | | | | DATE BLUEPRINT |
| | | | | | | | | —//— | | | | | | |
| | | | | A | REV TERMS | 1-11-82 | (K) | TOLERANCES | SINGLE POLE SINGLE THROW ROCKER SWITCH | | | | | 57000-10 |
| | | | | | ISSUED | 1-30-76 | (F) | FRACTIONAL ± | | | | | | |
| | | | | | | | | DECIMAL ±.015 | | | | | | |

SPAULDING CO., INC. 21-55259