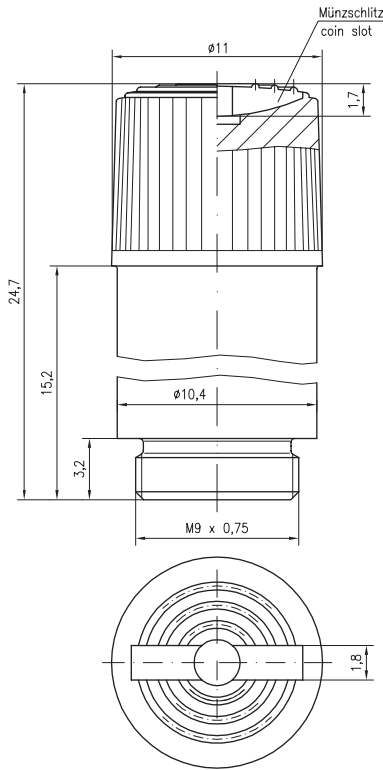


Cap / No. 568

for 6.3 x 32 mm Fuses



Specifications

Mounting

Screw thread in bus bar

Protection Class & Category

IP 40 (IEC 60529)

Materials

Cap: Thermoplastic (Polyamide PA 6.6), UL 94 V-0, black  
 Metal Parts: Copper alloy, corrosion protected, nickel-plated

Electrical Data (23 °C)

Rated Voltage: 250 V  
 Rated Current: 6.3 A

Operating Temperature

-25 °C to 70 °C (consider de-rating)

Stock Conditions

10 °C to 60 °C

Contact Resistance

≤ 5 mΩ

Unit weight

4,3 g (568) / 3,8 g (569)

Order Information

Packaging

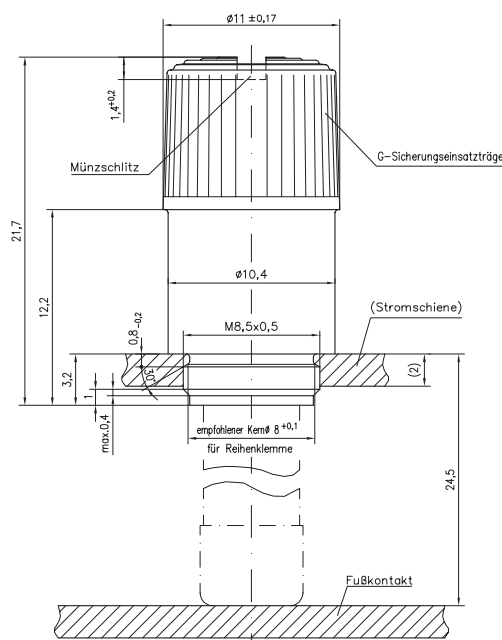
Bulk (1,000 pcs.)

Order Numbers

Cap, 6.3 x 32 mm No. 568 0000 001  
 Cap, 6.3 x 32 mm No. 569 0000 001

Cap / No. 569

for 6.3 x 32 mm Fuses



Specifications are subject to change without notice

Note: 1.00 means the number one with two decimal places. 1,000 means the number one thousand.