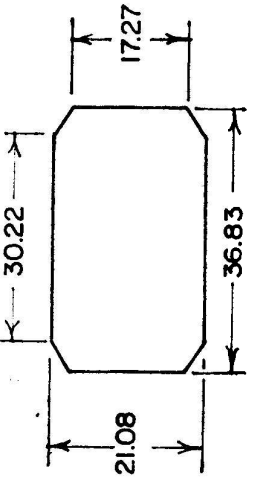
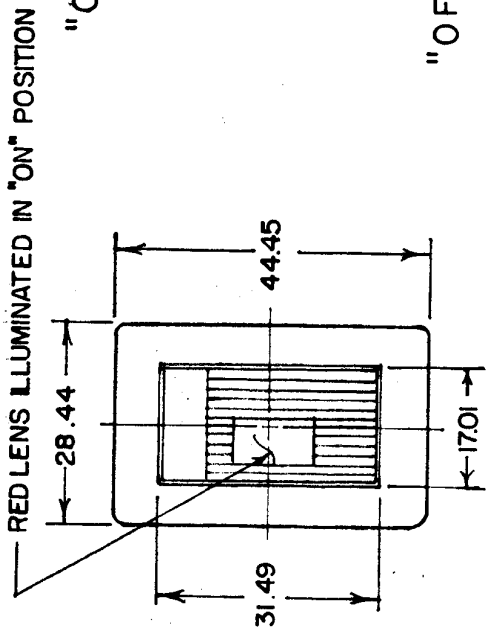


MM IN
 .25
 2.78
 5.63
 17.01
 17.27
 21.08
 28.44
 31.49
 31.77
 31.83
 44.45
 44.50

56300-02
 56300-06

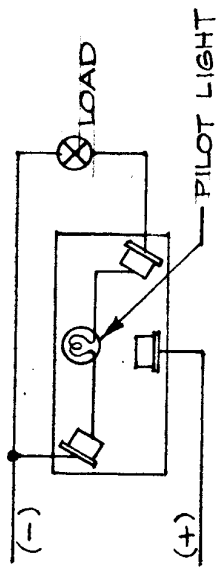
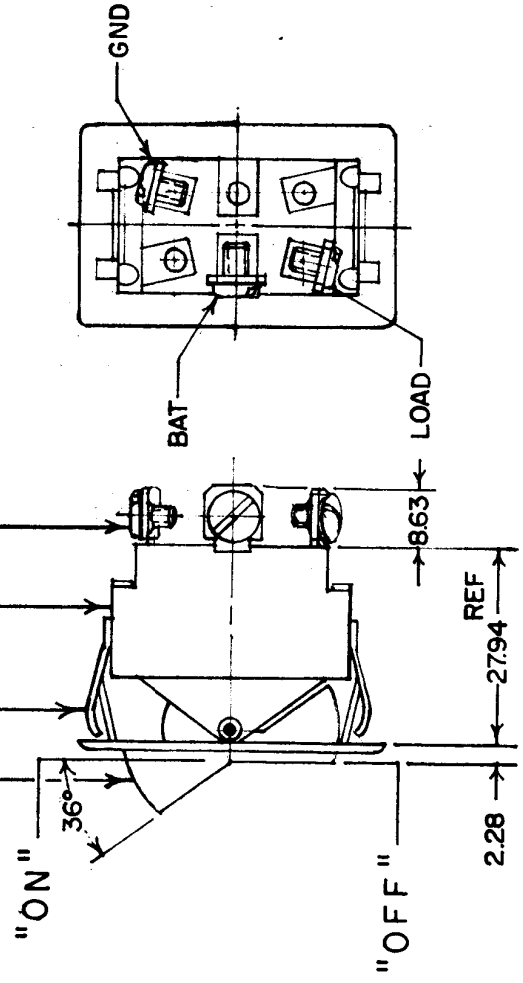


MOUNTING HOLE DETAIL



RED LENS ILLUMINATED IN "ON" POSITION

ROCKER, WHITE
 BEZEL, NICKEL PLT, BRIGHT FINISH
 TERM INSUL
 TERM & SCREW (3 PLACES)



NOTE:

1. HEAVY DUTY
2. SILVER CONTACTS
3. 25 AMPS AT 12 VDC LAMP LOAD

56300-06 SAME AS 56300-02 EXCEPT
 BEZEL, NICKEL PLT, DULL FINISH

METRIC

DO NOT SCALE												
LET.	WAS	DATE	BY/LET	WAS	DATE	BY	MATERIAL	DRAWN	CHECKED	APPR'D.	SCALE	DATE DRAWN
							#	CF	8-28-80	8-28-80	1:1	56300 W/WIDE BEZEL REPLACING BRACKET
							FINISH					DATE BLUEPRINT
							TOLERANCES					
							DECIMAL ±					
							METRIC ±					
				F. REDRAWN	8-27-80	R						56300-02 56300-06



SPST ROCKER SWITCH
 W/PILOT LIGHT

CH-188(4-78)