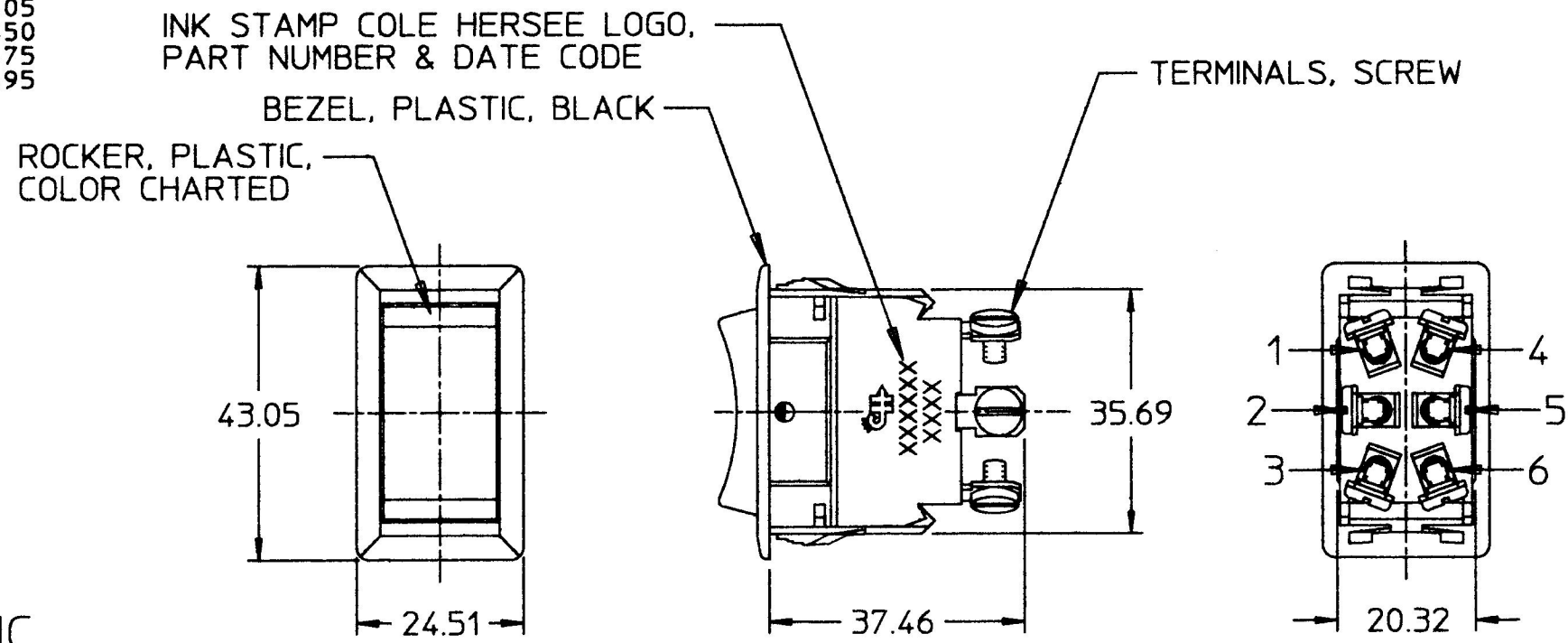


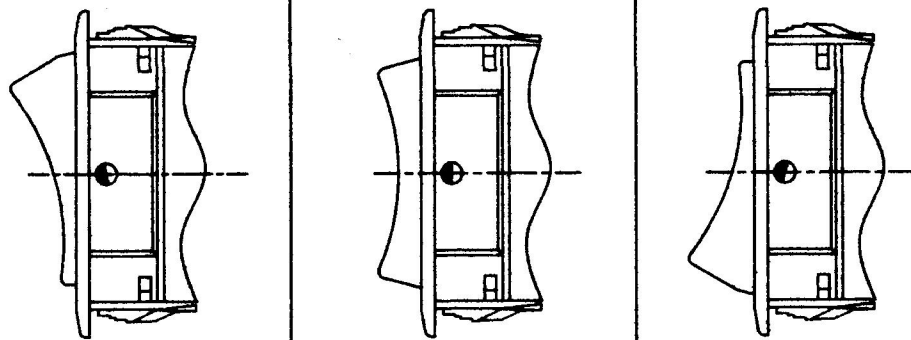
MM	IN
20.32	0.800
21.08	0.830
25.51	0.965
35.69	1.405
36.83	1.450
37.46	1.475
43.05	1.695



NOTES:
 1. ALL DIMENSIONS ARE REFERENCE ONLY
 2. CONTACT RATING:
 20 AMPS @ 12V DC
 10 AMPS @ 24V DC

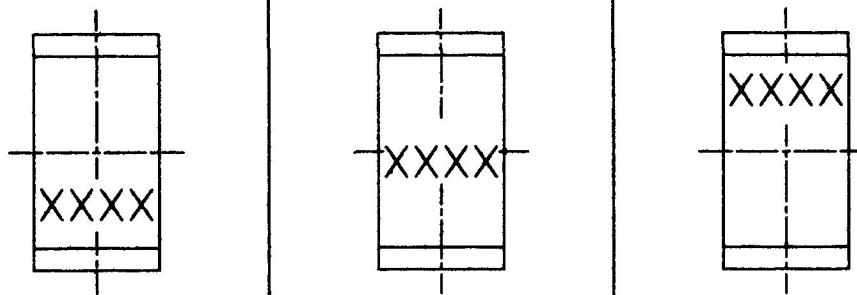
METRIC

ROCKER POSITIONS



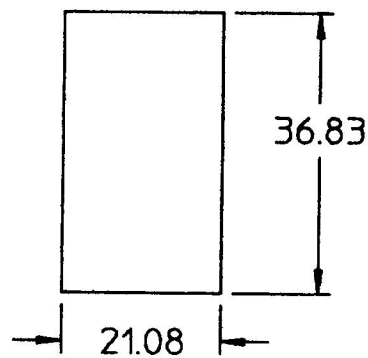
POSITION A POSITION B POSITION C

IMPRINTING LOCATION



LOCATION D LOCATION E LOCATION F

MOUNTING HOLE DETAIL



ROCKER COLORS

BLACK

IMPRINT COLORS

WHITE

DO NOT SCALE

LET.	WAS	DATE	BY	LET.	WAS	DATE	BY	MATERIAL	DRAWN	CHK	APVD	SCALE	DATE DRAWN
									MJT	AF		1:1	11/9/93
				B	ADDED -13	8/20/96	JG	FINISH	Cole Hersee Co. 20 OLD COLONY AVENUE, BOSTON, MA, U.S.A. 02127				DATE BLUEPRINTED
				A	ADDED -12	3/13/96	MB	TOLERANCES	ROCKER SWITCH				56027
					ISSUED	12/30/93	AF	DECIMAL ± ANGLE ±					