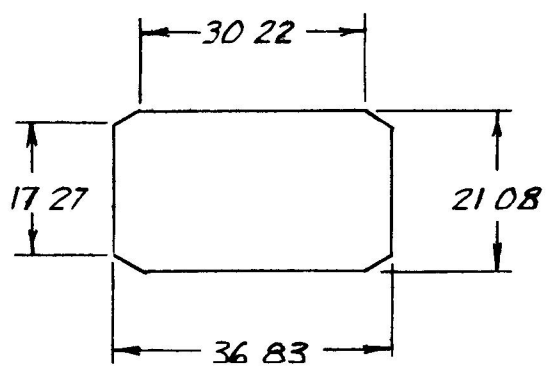


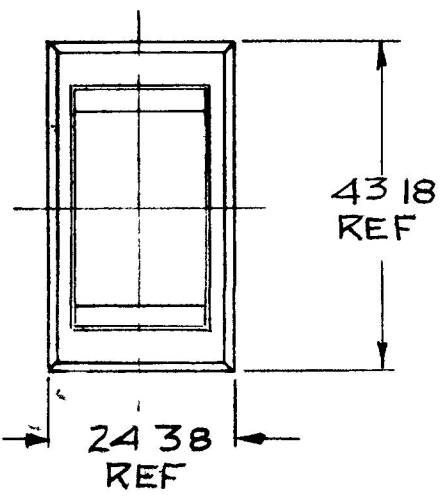
56012-04

MM IN  
 1727 680  
 2108.830  
 2438 960  
 3022 1190  
 3560 1401  
 3683 1450  
 4318 1700

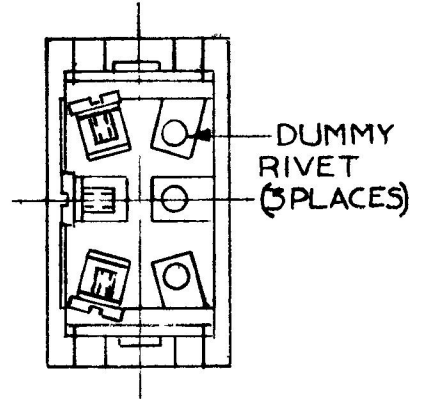
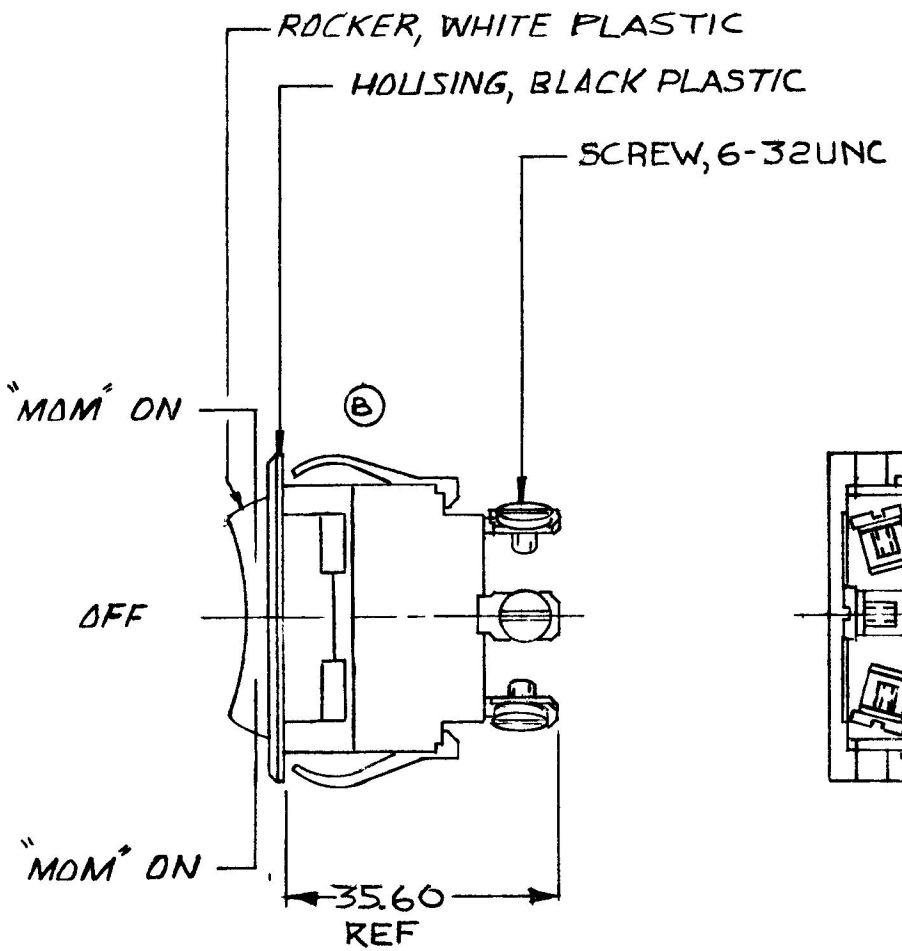
REF  
 BLADE  
 57004-10



MTG HOLE DETAIL



METRIC



- NOTES  
 1. WEATHER PROOF  
 2. SILVER CONTACTS  
 3. HEAVY DUTY  
 4. 25 AMP 12 VDC LAMP LOAD

DO NOT SCALE

LET	WAS	DATE	BY	LET	WAS	DATE	BY	MATERIAL	DRAWN	CHECKED	APPRV D	SCALE	56012-01 WEATHER PROOF	DATE DRAWN
								X	DPS	4-2-80		1:1		3-31-80
								FINISH						DATE BLUEPRINT
				B	ECN 23335	12-11-86	ZU		Cole Hersee Co. SPDT ROCKER SW					
					ISSUED	10-7-81	RJR							
				A	REVISED	6-8-81	PS	TOLERANCES DECIMAL ± METRIC ±.25						

CH 188(4 78)