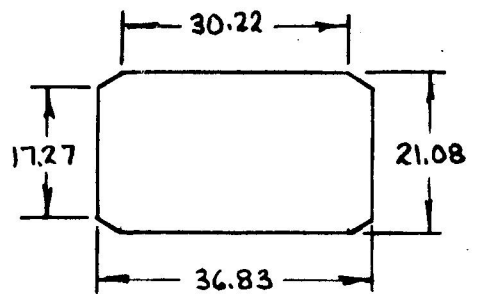
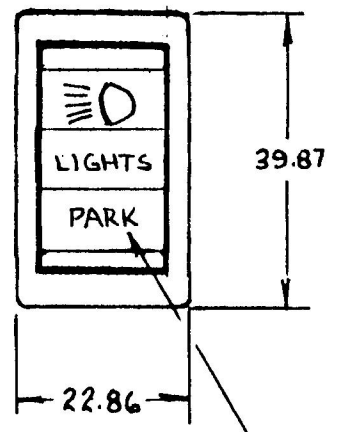


MM	IN
.25	.010
17.27	.680
21.08	.830
22.86	.900
30.22	1.190
36.57	1.440
36.83	1.450
39.87	1.570

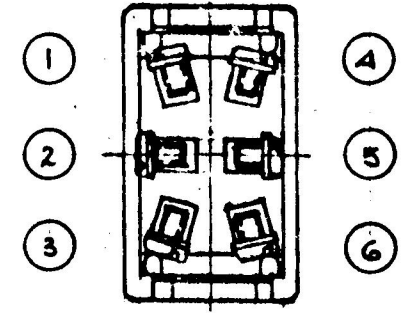
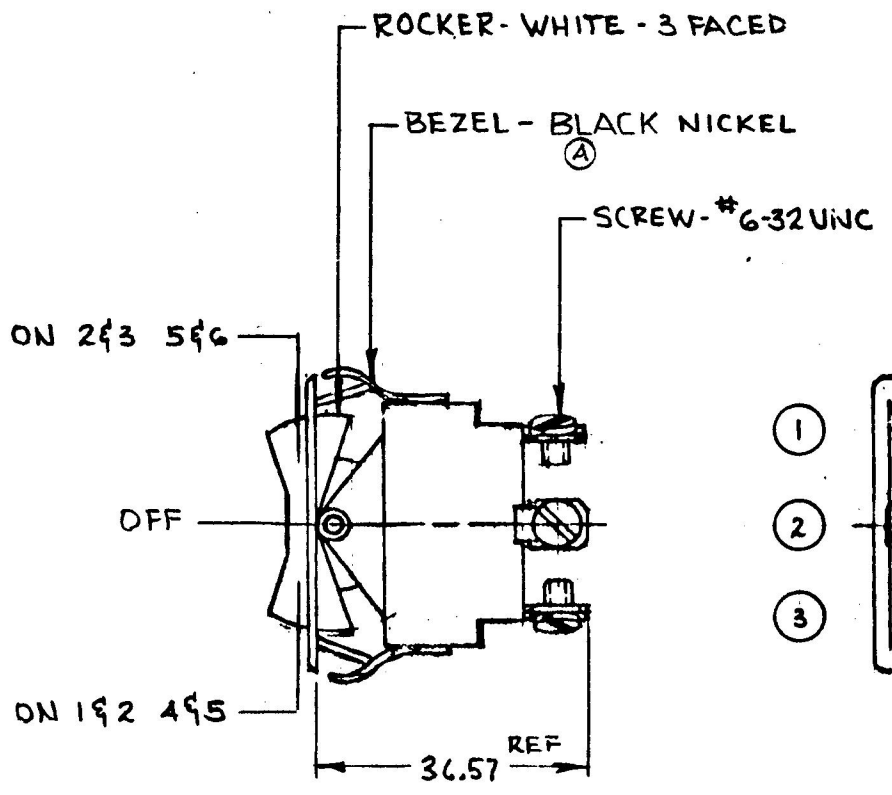
56006-08



MOUNTING HOLE DETAIL



BLACK IMPRINTING



- NOTES:
 1. SILVER CONTACTS
 2. HEAVY DUTY
 3. 25AMPS @ 12V DC LAMP LOAD

METRIC

DO NOT SCALE

ET.	WAS	DATE	BY	LET	WAS	DATE	BY	MATERIAL	DRAWN	CHECKED	APPR'D.	SCALE	DATE DRAWN
								—	RJF	RFB		1=1	7-26-83
								FINISH	 CH. Cole Hersee Co. <small>100 COLONY AVENUE SOUTH BOSTON MA. U.S.A. 02117</small>				DATE BLUEPRINT
								TOLERANCES					ROCKER SWITCH DPDT
								DECIMAL ±					
								METRIC ±0.25					

CH-188(4-78)