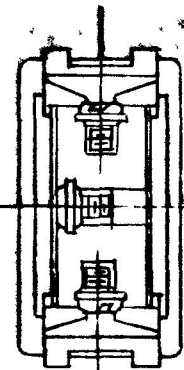
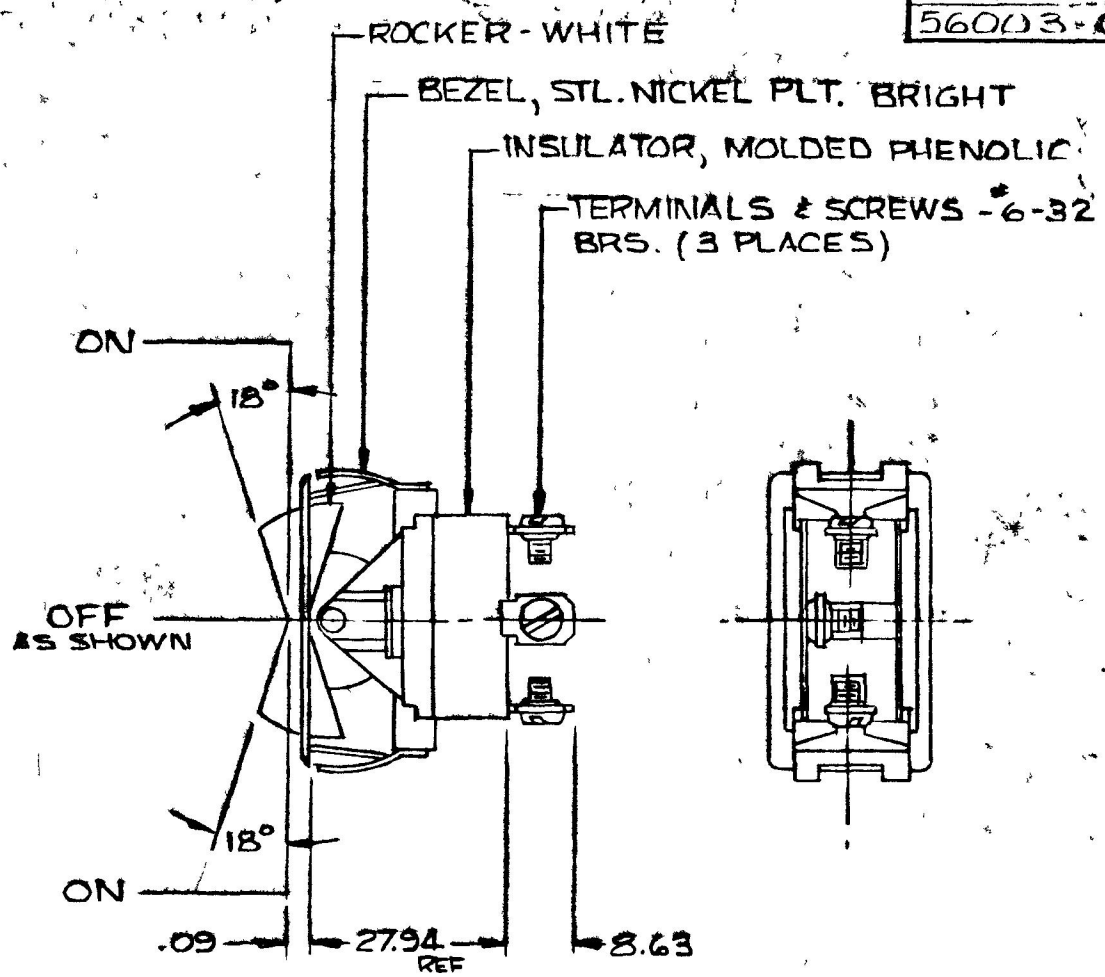
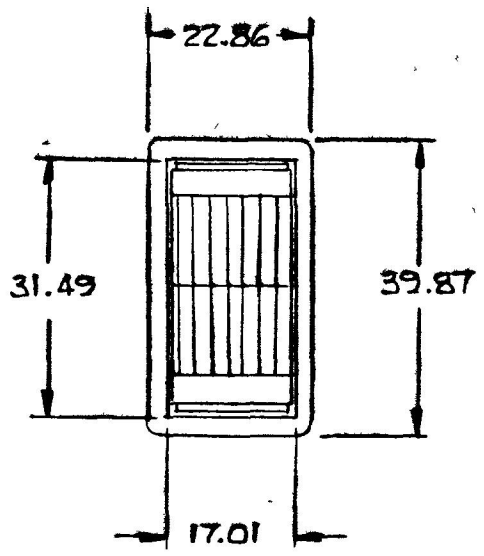
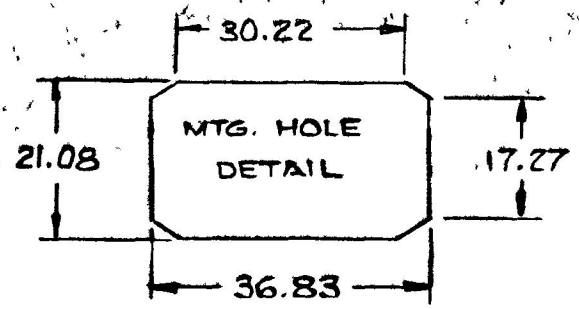


32.015  
 2.28 .09  
 2.63 .34  
 17.01 .67  
 17.27 .68  
 21.08 .83  
 22.86 .90  
 27.34 1.10  
 30.82 1.19  
 31.49 1.24  
 32.83 1.45  
 39.87 1.57

56003-01  
56003-05



METRIC

NOTE: 1. SILVER CONTACT RIVETS AND SILVER CONTACT PADS  
 2. 25 AMPS @ 12VDC LAMP LOAD  
 HEAVY DUTY

56003-05 SAME AS 56003-01 EXCEPT BEZEL, NICKEL PLT. DULL FINISH

DO NOT SCALE

LET	WAS	DATE	BY	LET	WAS	DATE	BY	MATERIAL	DRAWN	CHECKED	APPRV D	SCALE	DATE DRAWN
								—	CF			FULL	6-12-67
								FINISH	 Cole Hersee Co. <small>30 WILD COLONY AVENUE SOUTH BOSTON MA U.S.A. 02127</small>				DATE BLUEPRINT
								TOLERANCES					S.P. D.T. ROCKER SW.
				F	REDRAWN	12-11-78	EA	FRACTIONAL ±					56003-05
								DECIMAL ±.38					

CH-188 (4-78)