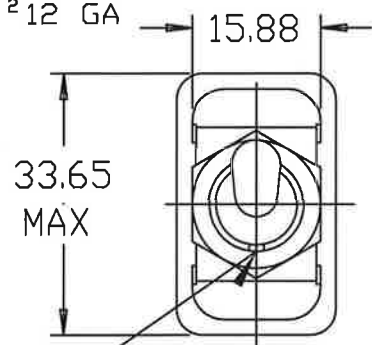


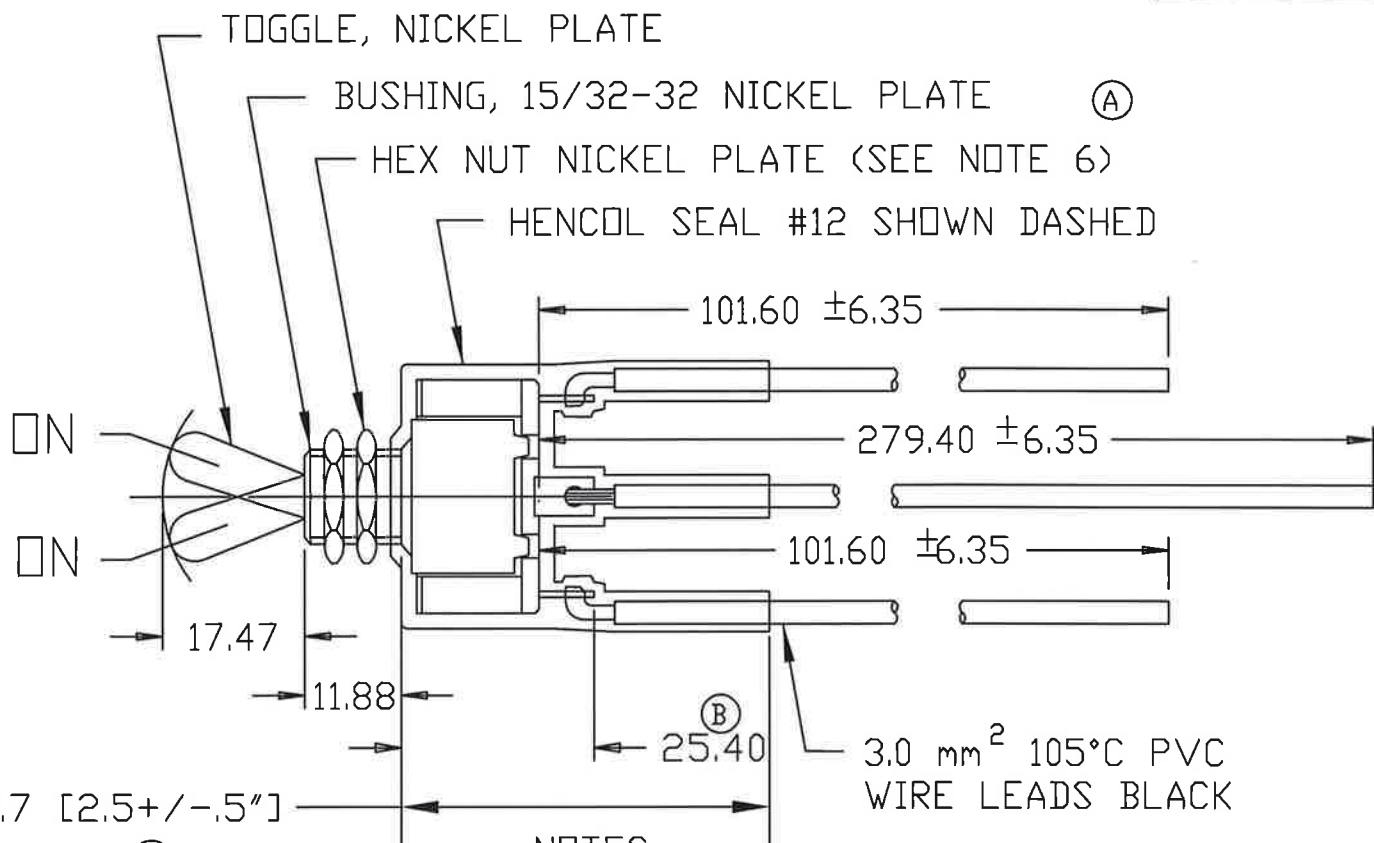
5584-15

MM	IN
0.25	0.010
0.96	0.032
1.82	0.072
6.35	0.250
11.88	0.468
15.88	0.625
17.47	0.688
25.40	1.000
33.65	1.325
101.60	4.000
279.40	11.000
3.0 mm	$2^{12}$ GA



1.82 X 0.96  
DEEP KEYWAY

63.5 MM +/- 12.7 [2.5 +/- .5"]  
SEE NOTE 7 (C)




NOTES:

1. SILVER CONTACTS
2. 25 AMPS @ 12VDC LAMP LOAD  
35 AMPS @ 12VDC INDUCTIVE LOAD
3. O-RING SEAL IN BUSHING
4. ALL STEEL PARTS PLATED
5. ALL DIMENSIONS ARE REFERENCE

- (A) 6. 1 HEX NUT ASSBLD; 1 NUT SHIPPED LOOSE
- (C) 7. THIS DIMENSION MUST BE MAINTAINED

METRIC

LET.	WAS	DATE	BY	LET.	WAS	DATE	BY	MATERIAL	DRAWN	CHK	APVD	SCALE	DATE DRAWN
									BL			1:1	4/13/93
				C	ECR #10524	6/10/14	GA	FINISH	 <b>Cole Hersee Co.</b> 20 OLD COLONY AVENUE, BOSTON, MA., U.S.A., 02127				DATE BLUEPRINTED
				B	ECN #25389	6/15/93	MJT						4/13/93
				A	ECN 25385	6/9/93	BL						
					ISSUED	4/22/93	AF	TOLERANCES METRIC ± 0.25 ANGLE ±	SWITCH, TOGGLE SPDT				5584-15