

Revision Control Record

Rev.	Description of Change	ECN No.	Date
H	NOTE CHANGE	09002	01/14/08

SCREW, 6-32UNC-2A THD, BRASS (3 REQ'D)

INSULATOR, BAKELITE

CASE, STEEL

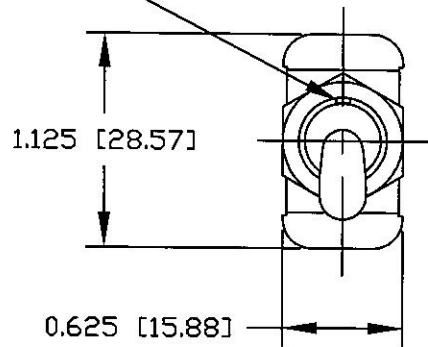
HEX NUT, STEEL

FACE NUT, BRASS, NICKEL PLT.

Ⓜ BUSHING, 15/32-32 UNS-2A THD, BRASS, NICKEL PLT.

TOGGLE, BRASS, NICKEL PLT

0.038 [0.96] X 0.072 [1.82] KEYWAY



□N

□N

0.690 [17.53]

0.470 [11.94]

1.125 [28.58]

0.250 [6.35]
0.312 [7.92]

Ⓜ NOTES:

1. ALL STEEL PARTS PLATED
2. SILVER CONTACT SURFACES
3. ALL DIMENSIONS REFERENCE ONLY EXCEPT OTHERWISE NOTED
4. 25AMP @ 12VDC

Tolerances Unless otherwise specifically noted, the following are default tolerances;

2-places +/- 0.02"
3-places +/- 0.005"
Angular +/- 1'

Metric: Shown in [] refers to equivalent English Dim Tol

"REF." or an Asterisk (*) = Non-Toleranced Reference Dimension, shown for clarification purposes only.

NOTE: All tolerances are Non-Cumulative.

PROPRIETARY INFORMATION

This Engineering Drawing, and the information contained herein, is proprietary to Cole Hersee Company and may not be disclosed, re-produced, or in any other way transferred or communicated to any other party without the express written consent of an authorized representative of Cole Hersee Company.

Special Characteristics:



Critical Characteristic, relating to Safety and/or Regulatory Compliance



Significant Characteristic relating to Process Control



Control Dimension relating to Form - Fit - Function as defined by Cole Hersee Company and/or the Customer



Cole Hersee Co.

20 Old Colony Ave., South Boston, MA, 02127
Phn: 617-268-2100 Web: www.colehersee.com

Description:

SPDT TOGGLE SW

Drawing / Part No.:

5584

Current Rev.

H