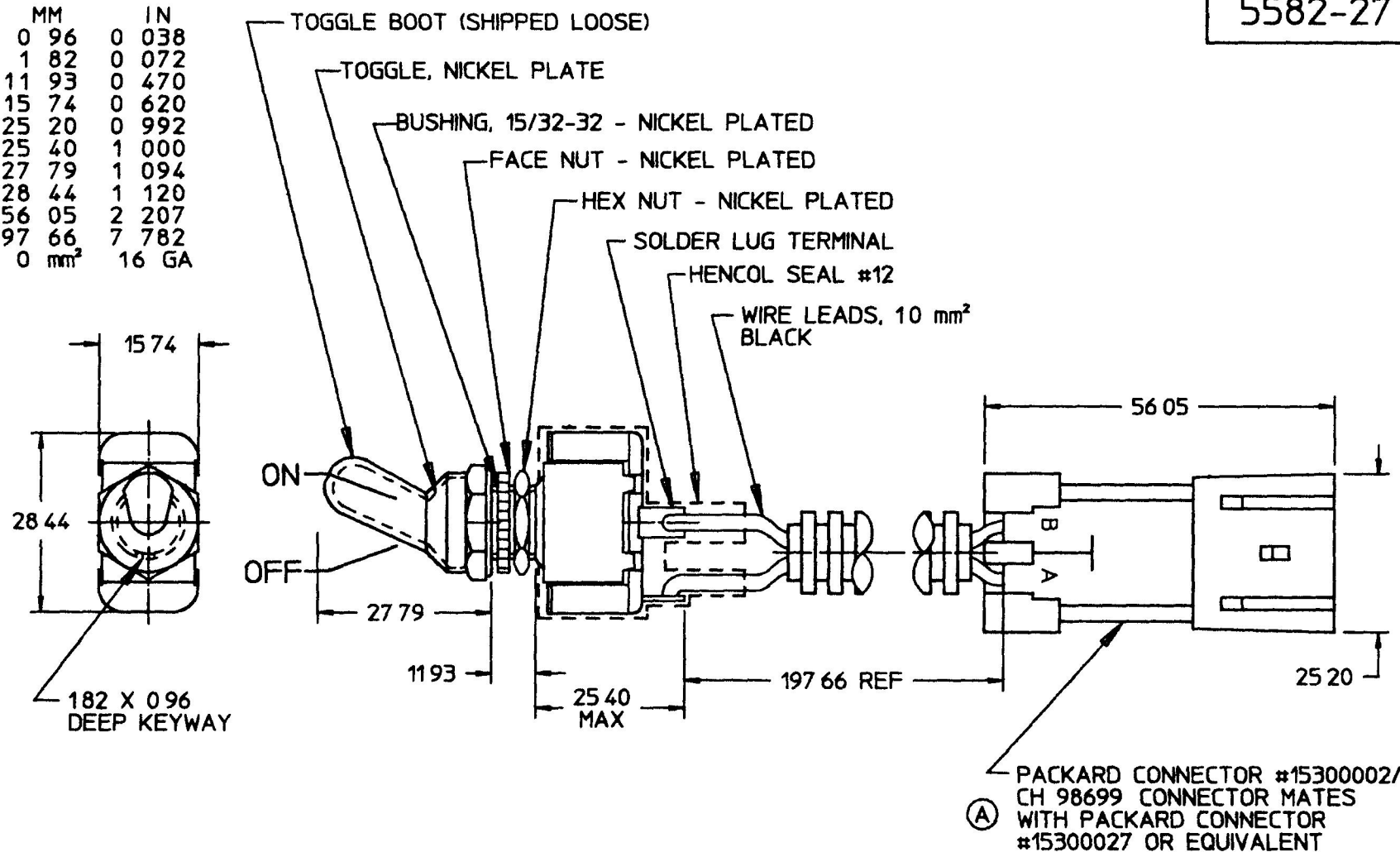


5582-27

| MM | IN |
|---------------------|-------|
| 0 96 | 0 038 |
| 1 82 | 0 072 |
| 11 93 | 0 470 |
| 15 74 | 0 620 |
| 25 20 | 0 992 |
| 25 40 | 1 000 |
| 27 79 | 1 094 |
| 28 44 | 1 120 |
| 56 05 | 2 207 |
| 197 66 | 7 782 |
| 1 0 mm ² | 16 GA |



- NOTES
- 1 SILVER CONTACTS
 - 2 O-RING SEAL IN BUSHING
 - 3 ALL STEEL PARTS PLATED
 - 4 ALL DIMENSIONS REFERENCE
 - 5 TOGGLE BOOT SHIPPED LOOSE

METRIC

DO NOT SCALE

| LET | WAS | DATE | BY | LET | WAS | DATE | BY | MATERIAL | DRAWN | CHK | APVD | SCALE | DATE DRAWN |
|-----|-----|------|----|-----|------------|----------|----|--------------------------------------------|--------------------------------------------------------------------------|-----|------|-------|------------------|
| | | | | | | | | N/A | MCB | ASB | N/A | 1:1 | 01/11/99 |
| | | | | | | | | FINISH N/A | Cole Hersee Co. 20 OLD COLONY AVENUE, BOSTON, MA, U.S.A. 02127 | | | | DATE BLUEPRINTED |
| | | | | A | ECN #995/5 | 10/27/99 | JF | TOLERANCES DECIMAL ± N/A ANGLE ± N/A | SWITCH, TOGGLE SPST | | | | 5582-27 |
| | | | | -- | ISSUED | 03/01/99 | GA | | | | | | |