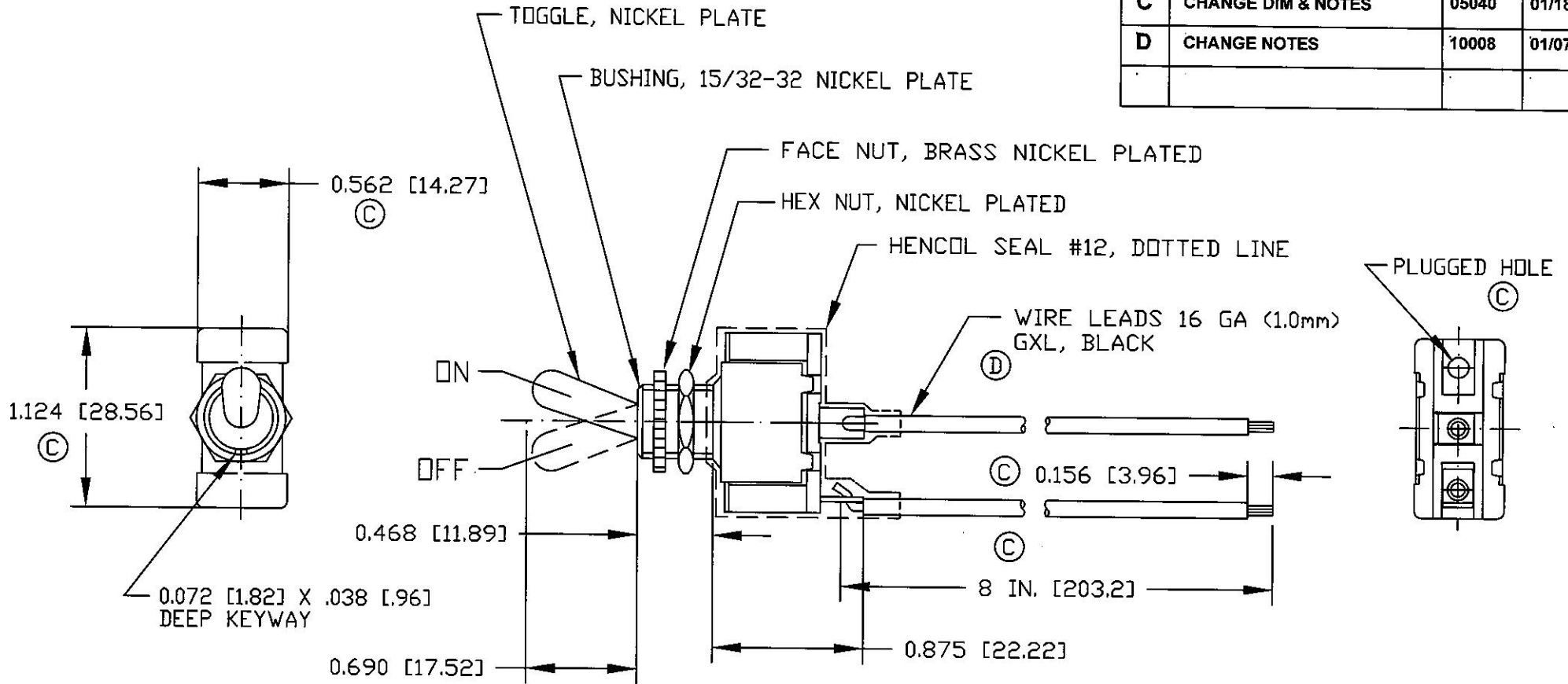


### Revision Control Record

Rev.	Description of Change	ECN No.	Date
C	CHANGE DIM & NOTES	05040	01/18/05
D	CHANGE NOTES	10008	01/07/10



**NOTES:**

1. SILVER CONTACTS
2. 25 AMPS @ 12VDC LAMP LOAD
3. O-RING SEAL IN BUSHING
4. ALL STEEL PARTS PLATED
5. ALL DIMENSIONS ARE REFERENCE

**Tolerances** Unless otherwise specifically noted, the following are default tolerances;

- \* 2-place Decimal Dimensions +/- .02"
  - \* 3-place Decimal Dimensions +/- .005"
  - \* Angular Dimensions +/- 1.0 Deg.
  - \* Metric: Refer to equivalent English Dimension Tolerance
- >>> NOTE: All tolerances are Non-Cumulative. <<<

**Dimensional Units** All dimensions are expressed in inches except those shown in brackets (xxx) are expressed in millimeters

"REF." or an Asterisk (\*) = Non-Toleranced Reference Dimension, shown for clarification purposes only.

**PROPRIETARY INFORMATION** This Engineering Drawing, and the information contained herein, is proprietary to Cole Hersee Company and may not be disclosed, re-produced, or in any other way transferred or communicated to any other party without the express written consent of an authorized representative of Cole Hersee Company.

**DESIGN CONTROL** It is the responsibility of the individual using / referencing this drawing to assure that the noted design revision level agrees with the revision level of the Controlled Document (Master Drawing). This is a NON-CONTROLLED DOCUMENT unless otherwise specifically noted.

**DO NOT SCALE** - Dimensional variation may occur during printing / reproduction.

**Special Characteristics:**



Critical Characteristic, relating to Safety and/or Regulatory Compliance



Significant Characteristic relating to Process Control (SPC)



Key Characteristic relating to Form - Fit - Function as defined by Cole Hersee Company and/or the Customer

(Note that the identification of any Characteristics as being "Special" does not alter the requirement that ALL specified dimensions & tolerances must be met.)



Cole Hersee Co.

20 Old Colony Ave., South Boston, MA, 02127  
Phn: 617-268-2100 Web: www.colehersee.com

**Description:**

**SWITCH, TOGGLE. SPST**

Drawing / Part No.:

**5582-10**

Current Rev.

**D**

Used On or Ref.: EX17875

Scale: **1:1**

Drawn By: **K.G**

Date Drawn: **03/17/77**

Responsible Engineer: **G.AUGUSTE**

Pg. 1 of 1