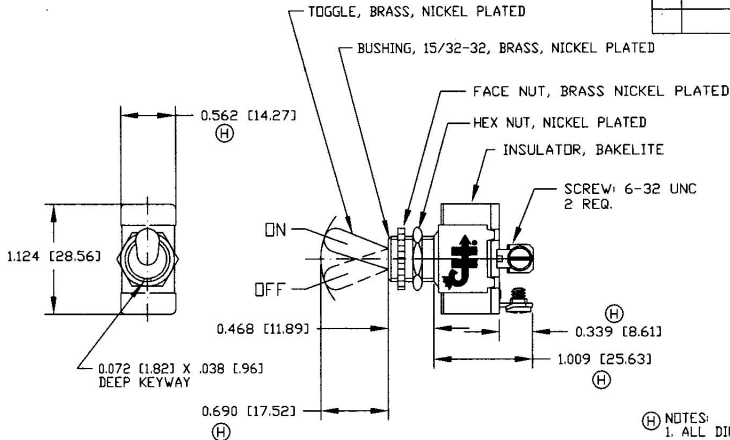


Revision Control Record

Rev.	Description of Change	ECN No.	Date
H	PUT ON CAD	05083	01/04/05



- (H) NOTES:
1. ALL DIMENSIONS ARE REFERENCE
 2. ALL STEEL PARTS ARE ZINC PLATED
 3. SILVER CONTACT SURFACES.
 4. SWITCH RATING: 25A/12V; 15A/24V

Tolerances: Unless otherwise specifically noted, the following are default tolerances:
 • 2-place Decimal Dimensions $\pm .02"$
 • 3-place Decimal Dimensions $\pm .005"$
 • Angular Dimensions: ± 1.0 Deg.
 • Hairs: Refer to equivalent English Dimension Tolerance
 >>> NOTE: All tolerances are Non-Cumulative. <<<

Dimensional Units: All dimensions are expressed in inches except those shown in brackets (xxx) are expressed in millimeters

"REF." or an Asterisk (*) = Non-Tolerance Reference Dimension, shown for identification purposes only.

PROPRIETARY INFORMATION: This Engineering Drawing, and the information contained herein, is proprietary to Cole Hersee Company and may not be disclosed, re-produced, or in any other way transferred or communicated to any other party without the express written consent of an authorized representative of Cole Hersee Company.

DESIGN CONTROL: It is the responsibility of the individual using/referencing this drawing to assure that the noted design revision level agrees with the revision level of the Controlled Document (Master Drawing). This is a NON-CONTROLLED DOCUMENT unless otherwise specifically noted.

DO NOT SCALE: Dimensional variation may occur during printing/reproduction.

Special Characteristics:

- ⊠ Critical Characteristic, relating to Safety and/or Regulatory Compliance
- X Significant Characteristic relating to Process Control (SPC)
- Ⓞ Key Characteristic relating to Form - Fit - Function as defined by Cole Hersee Company and/or the Customer

(Note that the identification of any Characteristics as being "Special" does not alter the requirement that ALL specified dimensions & tolerances must be met.)



Cole Hersee Co.

20 Old Colony Ave., South Boston, MA, 02127
 Pbx: 617-269-2100 Web: www.colehersee.com

Description:

**SWITCH, TOGGLE . SPST
OFF-ON**

Drawing / Part No.:

5582

Current Rev.

H

Used On or Ref. Scale: **1:1** Drawn By: **LMC** Data Drawn: **3/10/65**

Responsible Engineer: **G.AUGUSTE** Pg. 1 of 1