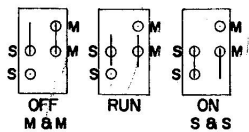
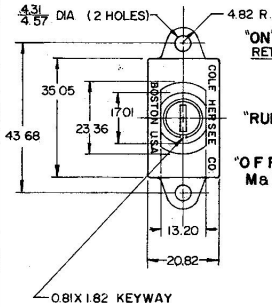


MM IN
 0.25 0.010
 0.61 0.024
 1.27 0.050
 2.29 0.090
 3.81 0.150
 5.08 0.200
 6.35 0.250
 7.62 0.300
 12.7 0.500
 17.8 0.700
 22.9 0.900
 28.0 1.100
 33.1 1.300
 38.1 1.500
 43.2 1.700

551862



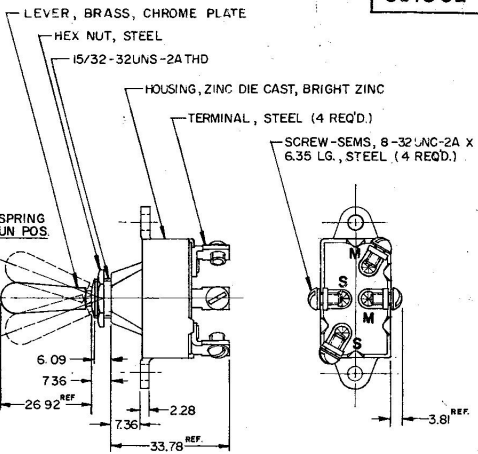
CIRCUIT DIAGRAM



"ON" S & S - SPRING RETURN TO RUN POS.

"RUN"

"OFF" M & M



NOTES

1. SILVER CONTACT SURFACES.
2. MELAMINE LINER.
- ③ 3. ALL STEEL PARTS PLATED
- ④ 4. HEX NUT & SCREWS TO BE BAGGED

Confidential property of Cole Hersee

METRIC

DO NOT SCALE

LET	WAS	DATE	BY	LET	WAS	DATE	BY	MATERIAL	DRAWN	CHECKED	APPR'D.	SCALE	DATE DRAWN
									MF			1:1	12-28-66
								FINISH					DATE BLUEPRINT
				G	ERN1005	1/12/01	JB						
				F	CAD OR ZINC/2523A	11/17/92	JH	TOLERANCES					
				E	REDRAWN	8-17-78	JV	FRACTIONAL ±	MAG - IGN - START TOGGLE SWITCH				551862
							DECIMAL ±						

EX-14416

CH Cole Hersee Co.
 MILWAUKEE, WISCONSIN, U.S.A.