

MTG. STEM 15/32-32 UNS-2A

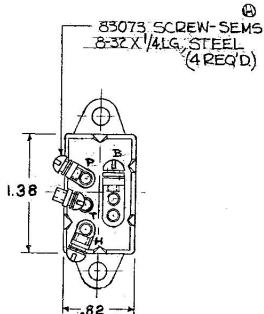
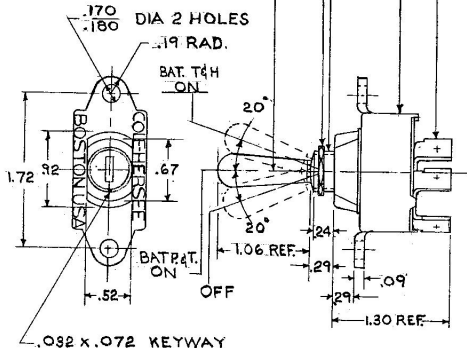
HOUSING - ZINC DIE CAST

551849

83272 HEX NUT-STEEL

TOGGLE LEVER-BRASS
CHROME PLATE

TERMINAL - BRASS [Ⓢ]



NOTES:

1. EXTRA HEAVY DUTY SILVERED STEEL CONTACTS
 2. ALL STEEL PARTS
 - Ⓢ PLATED
 3. HEX NUT & SCREWS TO BE BAGGED
- DO NOT SCALE

LEGEND	
P	PARK LT.
T	TAIL LT.
H	HEAD LT.

Confidential property of Cole Hersee

LET	DATE	BY	SIZE	DATE	BY	MATERIAL	DRAWN	CHECKED	APPROV'D	SCALE	DATE DRAWN
		K	STEEL/ECN#26487	9/13/47	HS		SB	U.M.		1=1	5-5-65
		J	CAD OR ZINC 25239	11/19/42	JH	FINISH					DATE BLUEPRINT
		H	REV/19288	2-23-76	KS						
		G	ROB/16A78	8-4-70	RN	TOLERANCE UNLESS SPECIFIED 1 DECIMAL + .002 2 DECIMAL + .001 ANGULAR + .2°					
		F	NO CHANGE REDRAWN	5.12.70	J.B.						
L ECN01005							NAME		HEADLAMP SWITCH		PART NO
1/16/01											551849
COLE-HERSEE COMPANY BOSTON, MASS. 02127, U.S.A.											