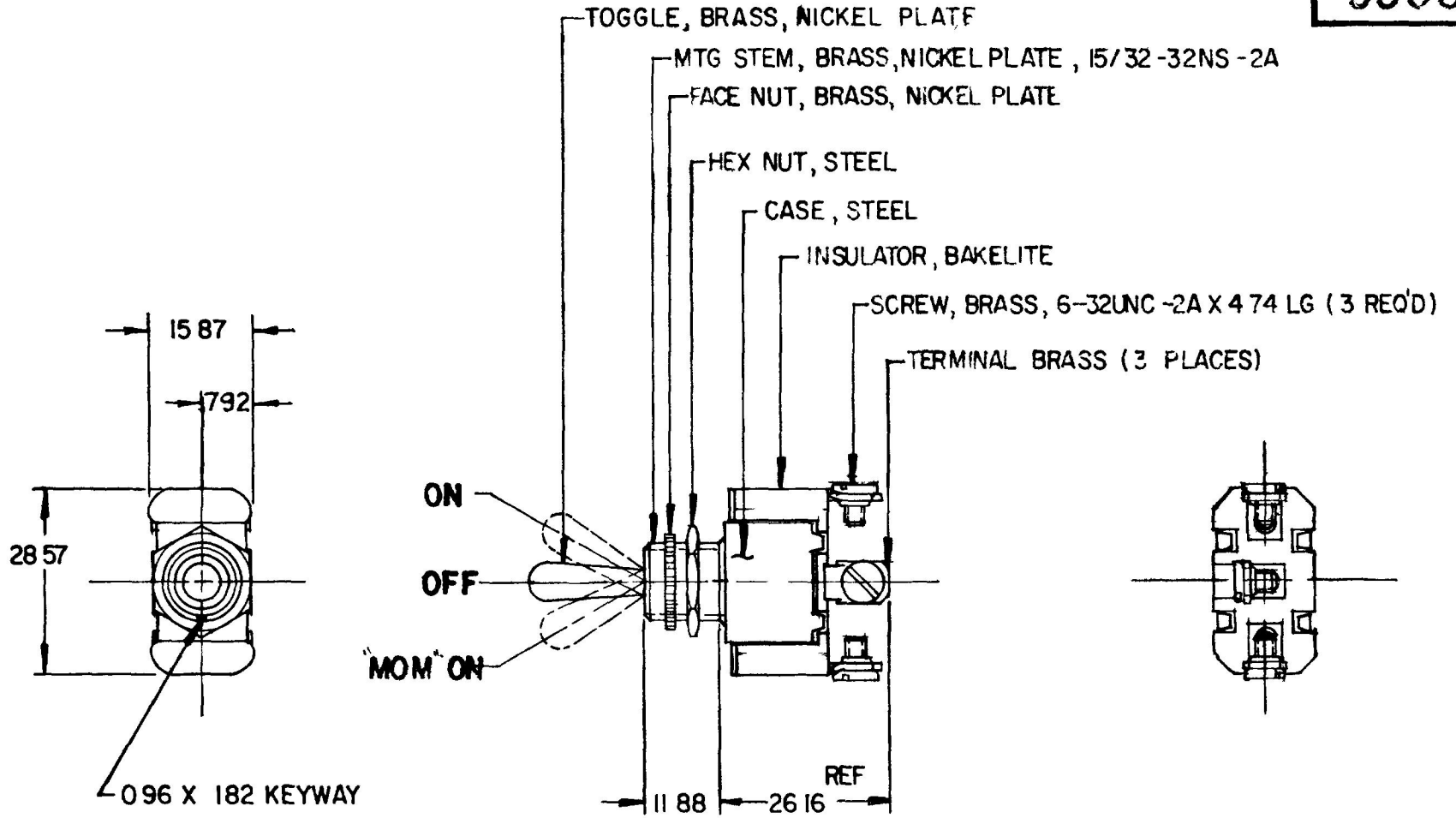


55088

MM	IN
0.25	.010
0.96	.038
1.82	.072
4.74	.187
7.92	.312
11.88	.468
15.87	.625
26.16	1.030
28.57	1.125

NPM 8-6-79
EX-18424



NOTE :

- 1 ALL STEEL PARTS EITHER ZINC PLATE W/ DICHROMATE DIP OR CADMIUM PLATE
- ② 2 SILVER CONTACT SURFACES

DO NOT SCALE

RATING	
24V	10 AMPS
12V	25 AMPS

METRIC

LET	WAS	DATE	BY	LET	WAS	DATE	BY	MATERIAL	DRAWN	CHECKED	APPRV'D	SCALE	DATE DRAWN
								— # —	JAV	[Signature]		1:1	7-20-79
								FINISH					DATE BLUEPRINT
								TOLERANCES	 20 OLD COLONY AVENUE SOUTH BOSTON MA U.S.A. 02127				
							DECIMAL ±						
				A	ADD NOTE / 25432	9/15/73	TJH	ISSUED	8-3-79				55088

CH-188(4-78)