

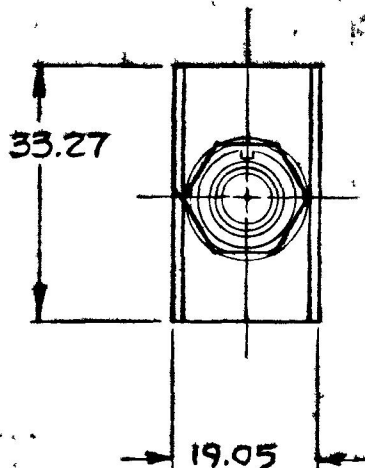
COLE-HERSEE CO.

EX 16621

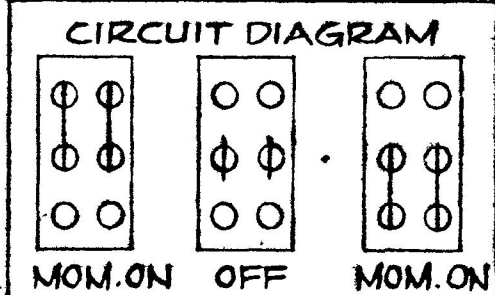
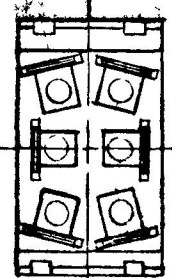
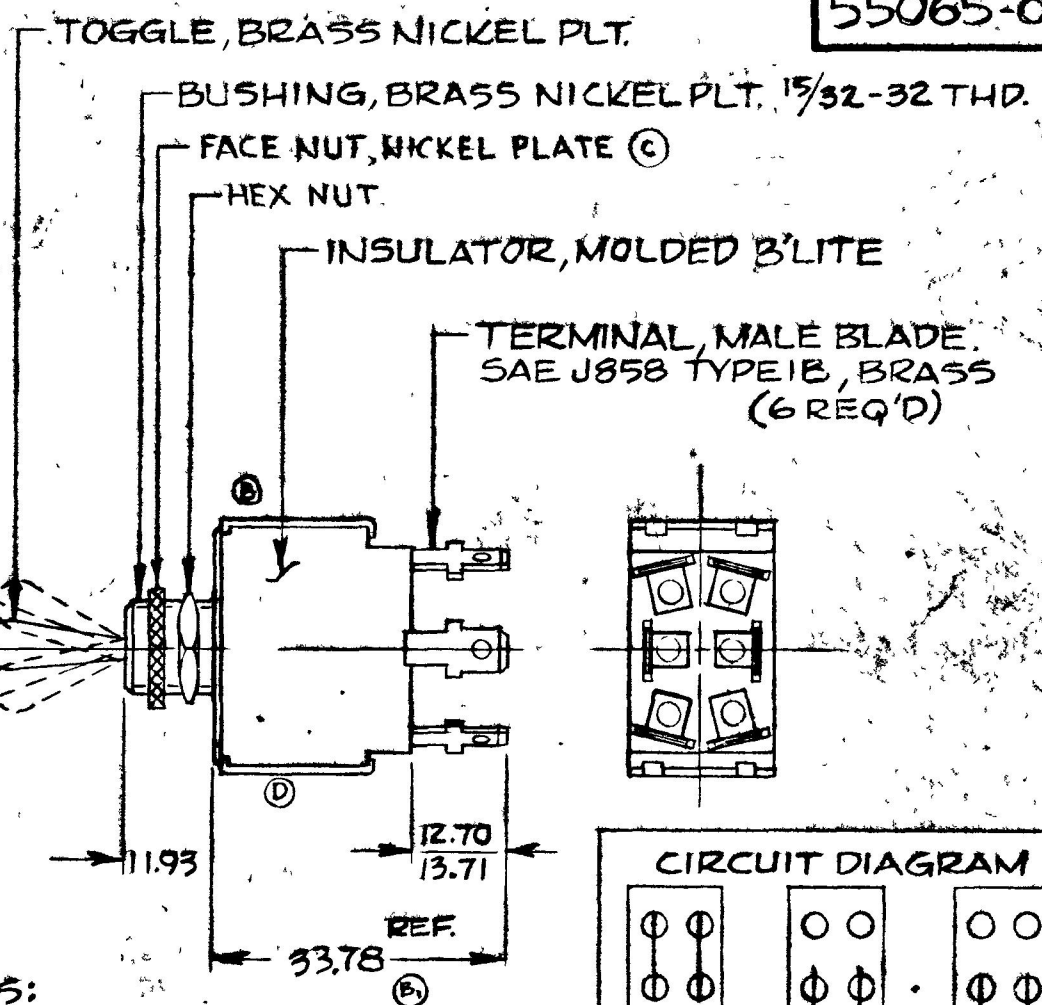
| |
|-------|
| 1.010 |
| 1.470 |
| 2.70 |
| 5.60 |
| 13.71 |
| 19.05 |
| 33.27 |
| 39.37 |

| VOLTS | RESISTIVE | INDUCTIVE |
|--------|-----------|-----------|
| 12 VDC | 25 AMPS | 15 AMPS |
| 24 VDC | 15 AMPS | 8 AMPS |

55065-03



MOM. ON
OFF
MOM. ON



- NOTES:
- 1) NO. POLES - 2
 - 2) NO. THROWS - 2
 - 3) TYPE SEALING - NONE
 - 4) ALL STEEL PARTS PLATED
 - 5) SILVER CONTACT SURFACES

METRIC

DO NOT SCALE

| | | | | | | | | | | | | | | |
|-----|---------------------|---------|-----|----------------|-----------------------|---------|-----|-------------------------|--|---------|--------|-------|---------------------------|------------|
| LET | WAS | DATE | BY | LET | WAS | DATE | BY | MATERIAL | DRAWN | CHECKED | APPR'D | SCALE | BASIC, WITH SHORT TOGGLE. | DATE DRAWN |
| | | | | C | ADD FACE FINISH 22957 | 1-24-80 | RJF | # | RJF | 9-8-76 | | 1:1 | | 8-27-76 |
| | | | | B ₁ | WAS 39.37 REF | | | FINISH | COLE-HERSEE COMPANY BOSTON, MASS. 02127, U.S.A. | | | | DATE BLUEPRINT | |
| | | | | B | CHANGE CASE / 22791 | 6-17-85 | AK | # | | | | | | |
| E | ADD NOTE / 25432 | 9/15/93 | TJH | | ISBULL | 9-8-76 | Y | TOLERANCES FRACTIONAL ± | MOMENTARY D.P.D.T. TOGGLE SWITCH | | | | 55065-03 | |
| R | REVISE VIEW / 23007 | 3/14/86 | AK | A | REDRAWN NO CHANGE | 9-7-76 | KG | DECIMAL ±.25 | | | | | | |

SPAULDING CO., INC. 21-56481