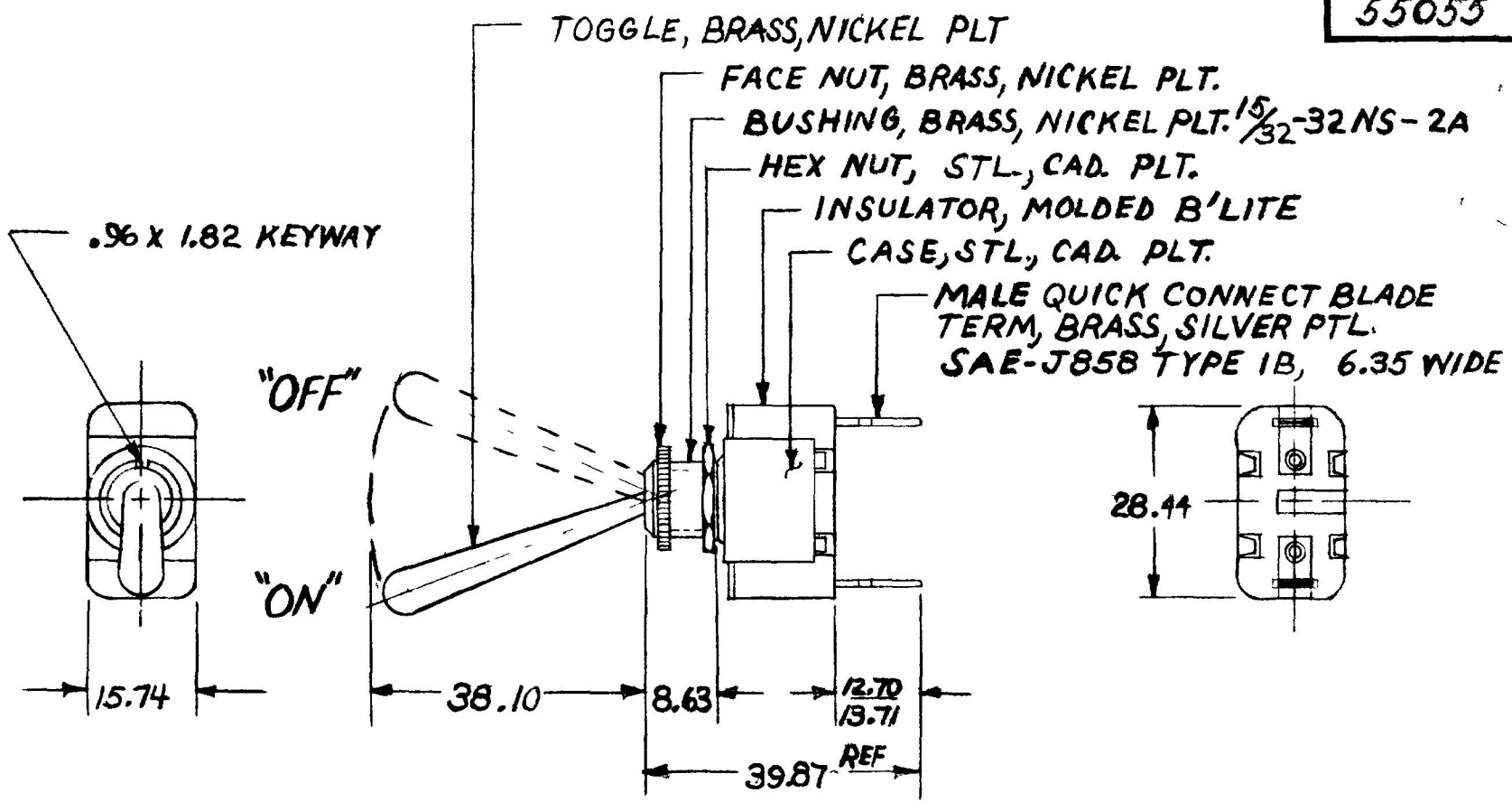


MM IN.
 8.63 .34
 13.20 .52
 38.10 1.50
 39.87 1.57
 28.44 1.12
 15.74 .62

55055



NOTE
 (F) SILVER CONTACT SURFACES

25 AMP, 12 VOLTS D.C.
 EXTRA HEAVY DUTY

METRIC

DO NOT SCALE

LET	WAS	DATE	BY	LET	WAS	DATE	BY	MATERIAL	DRAWN	CHECKED	APPRV D	SCALE	DATE DRAWN
									NB	3-4-80		1:1	5-15-67
								FINISH	 Cole Hersee Co <small>200 DC 0 E SOUT BOS MA US 22</small>				DATE BLUEPRINT
								TOLERANCES					
				F	ADD NOTE/25932	9/5/93	TJH	DECIMAL ±	S.P.-S.T. TOGGLE SW.				55055
				E	REDRAWN	1-8-80	R6	METRIC ±					

CH 188(4 78)