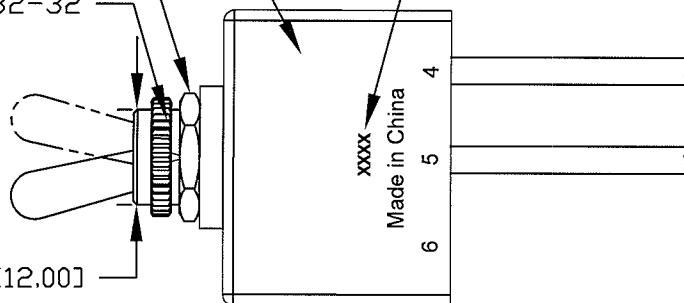


HOUSING: PLASTIC, BLACK
 HEXNUT: 15/32-32
 FACE NUT: 15/32-32

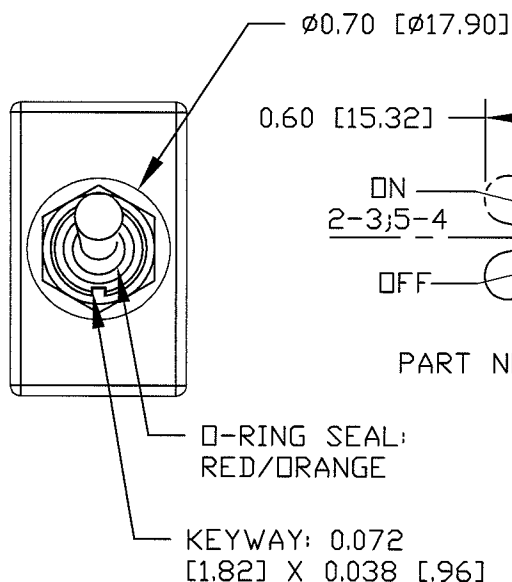
DATE CODE

0.472 [12.00]



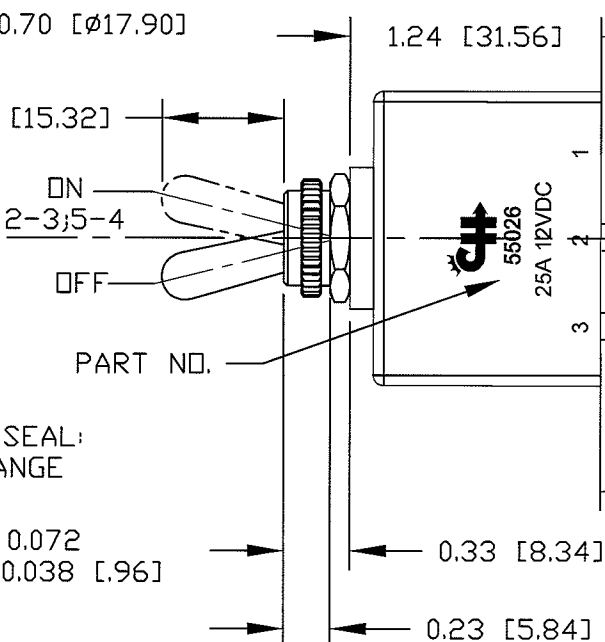
Revision Control Record

Rev.	Description of Change	ECN No.	Date
A	NEW PRODUCT RELEASE	13150	05/29/13



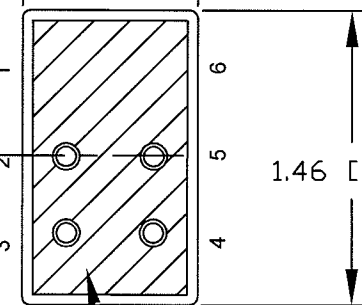
O-RING SEAL:
RED/DRANGE

KEYWAY: 0.072
[1.82] X 0.038 [0.96]



WIRE: GXL, BLACK
14GA, [2mm], 4PLS.

0.87 [22.00]



EPOXY SEAL, BLACK

NOTES:

- 1) SEALED TOGGLE SWITCH, DPST, SILVER CONTACTS.
- 2) SEALING SPEC: IP67.
- 3) ENVIRONMENTAL: -40 TO 85°C
- 4) BUSHING, TOGGLE & HDWARE: BRASS, NICKEL PLATED.
- 5) ELECTRICAL RATING: 25A@12VDC; 15A@24VDC.
- 6) ALL HARDWARE ASSEMBLED.

Note: unless noted otherwise all dimension are AFTER plating
 Tolerances: Unless otherwise specifically noted, the following
 are default tolerances;

2-places ± 0.02 [0.5] 3-places ± 0.005 [0.13] Angular ± 1'

Unless otherwise specified dimensions are in inches.
 Dimensions in brackets [] are in millimeters.

"REF" = Non-Toleranced Reference Dimension, shown for
 clarification purposes only.

Note: All tolerances are Non-Cumulative.

**PROPRIETARY
 INFORMATION**

All information contained
 herein, is proprietary to the
 Cole Hersee Company.
 Unauthorized use or
 reproduction is prohibited.

3RD ANGLE
 PROJECTION

Special Characteristics:

- Critical Characteristic, relating to Safety and/or Regulatory Compliance
- Significant Characteristic relating to Process Control
- Control Dimension relating to Form - Fit - Function as defined by Cole Hersee Company and/or the Customer



Littelfuse®

Phn: 617-268-2100 Web: www.colehersee.com

**Description: SW, TOGGLE, DPST,
 ON-OFF**

**Drawing /
 Part No.:**

55026

Current Rev.

A