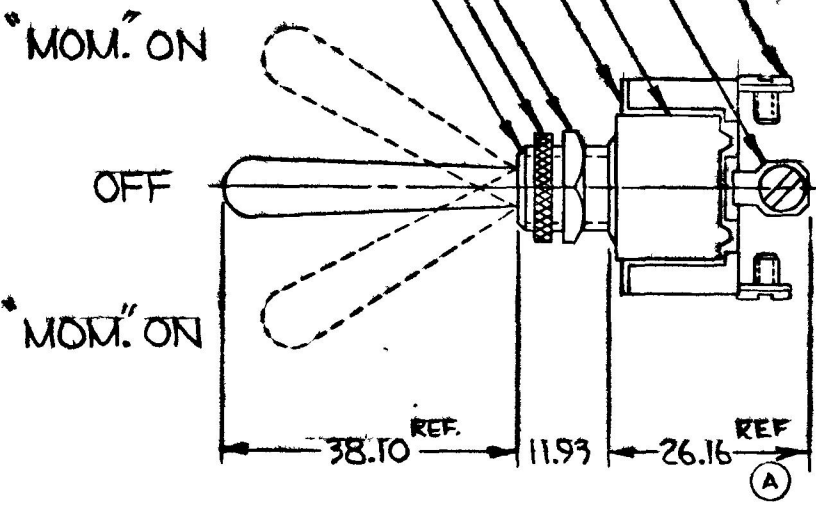
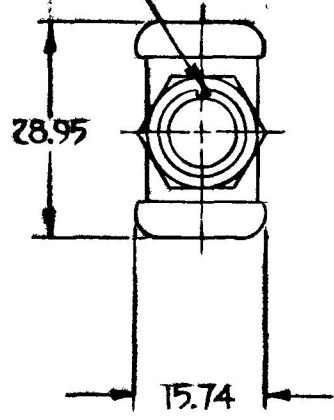


55021-08

- SCREW, BRASS, 6-32 UNC-2A THD. (3 REQ'D)
- TERMINAL, BRASS (3 REQ'D)
- CASE, STEEL, CAD. PLT.
- INSULATOR, BAKELITE
- HEX-NUT, STEEL, CAD. PLT.
- FACE NUT, BRASS, NICKEL PLT.
14.98 DIA. X 1.52 THK.
- MTG. STEM, 15/32 -32 UNS-2A
BRASS, NICKEL PLT.

KEYWAY 0.96 DEEP
X 1.82 WIDE



NOTE:
Ⓐ SILVER CONTACT SURFACES

METRIC

25 AMP-14 VOLT D.C.

DO NOT SCALE

LET	WAS	DATE	BY	LET	WAS	DATE	BY	MATERIAL	DRAWN	CHECKED	APPRV D	SCALE	BASIC, WITH 1/2" LONG BAT HANDLE	DATE DRAWN
								—H—	√K	TY		1:1		3-29-78
								FINISH	COLE-HERSEE COMPANY BOSTON, MASS. 02127, U.S.A.					DATE BLUEPRINT
				B	ADD NOTE/25932	7/15/73	PH	—H—						
				A	END TELMAGL 20420	12 28 78	K.P.	TOLERANCES	TOGGLE SWITCH					55021-08
					ISSUED 4-6-78			FRACTIONAL ±						
								DECIMAL ±0.25						

COLE-HERSEE CO.
NPM

EX-18119

MM	IN.
0.25	.010
0.96	.038
1.52	.060
1.82	.072
11.93	.470
14.98	.590
15.74	.620
26.16	1.030
28.93	1.140
38.10	1.500