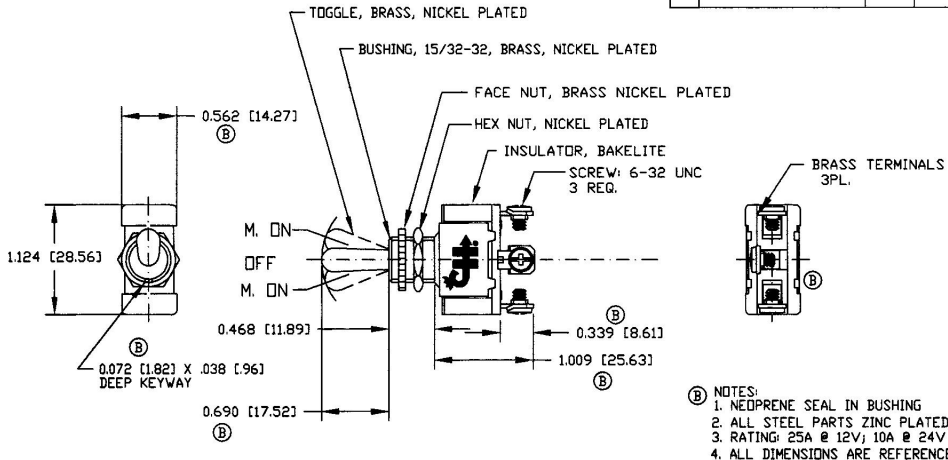


Revision Control Record

Rev.	Description of Change	ECN No.	Date
B	PUT ON CAD	D6001	01/27/06



- (B) NOTES:**
1. NEDPRENE SEAL IN BUSHING
 2. ALL STEEL PARTS ZINC PLATED
 3. RATING: 25A @ 12V; 10A @ 24V
 4. ALL DIMENSIONS ARE REFERENCE

Tolerances: Unless otherwise specifically noted, the following are default tolerances:

- * Replace Decimal Dimensions $\pm .001$
- * Replace Decimal Dimensions $\pm .002$
- * Angular Dimensions ± 1.0 Deg.
- * Metric: Refer to equivalent English Dimension Tolerance
- >>> NOTE: All tolerances are Max-Cumulative, <<<

Dimensional Units: All dimensions are expressed in inches except those shown in brackets (xxx) are expressed in millimeters

"REF." or "AS SHOWN" = Non-Toleranced Reference Dimension, shown for identification purposes only.

PROPRIETARY INFORMATION: This Engineering Drawing, and the information contained herein, is proprietary to Cole Horse Company and may not be disclosed, re-produced, or in any other way transmitted or communicated to any other party without the express written consent of an authorized representative of Cole Horse Company.

DESIGN CONTROL: It is the responsibility of the individual using/referencing this drawing to assure that the related design revision level agrees with the revision level of the Controlled Document (Master Drawing). This is a NON-CONTROLLED DOCUMENT unless otherwise specifically noted.

DO NOT SCALE: Dimensional variation may occur during printing/reproduction.

Special Characteristics

(C) Critical Characteristics, relating to Safety and/or Regulatory Compliance

(X) Significant Characteristics relating to Process Control (SPC)

(PC) Key Characteristics relating to Form - Fit - Function as defined by Cole Horse Company and/or the Customer

(Note that the identification of any Characteristics as being "Special" does not alter the requirement that ALL specified dimensions & tolerances must be met.)



Cole Horse Co.

20 Old Colony Ave., South Boston, MA, 02127
 Fax 617-266-2100 Web www.colehorse.com

Description:

**SWITCH, TOGGLE . SPDT
 M.ON-OFF-M.ON**

**Drawing/
 Part No.:**

55021-04

Current Rev.

B

Used On: EX17289, Scale: 1:1
 or Ref: EX17846

Drawn By: DPS Date: 5/27/82

Responsible Engineer: 9-AUGUSTE Pg. 1 of 1