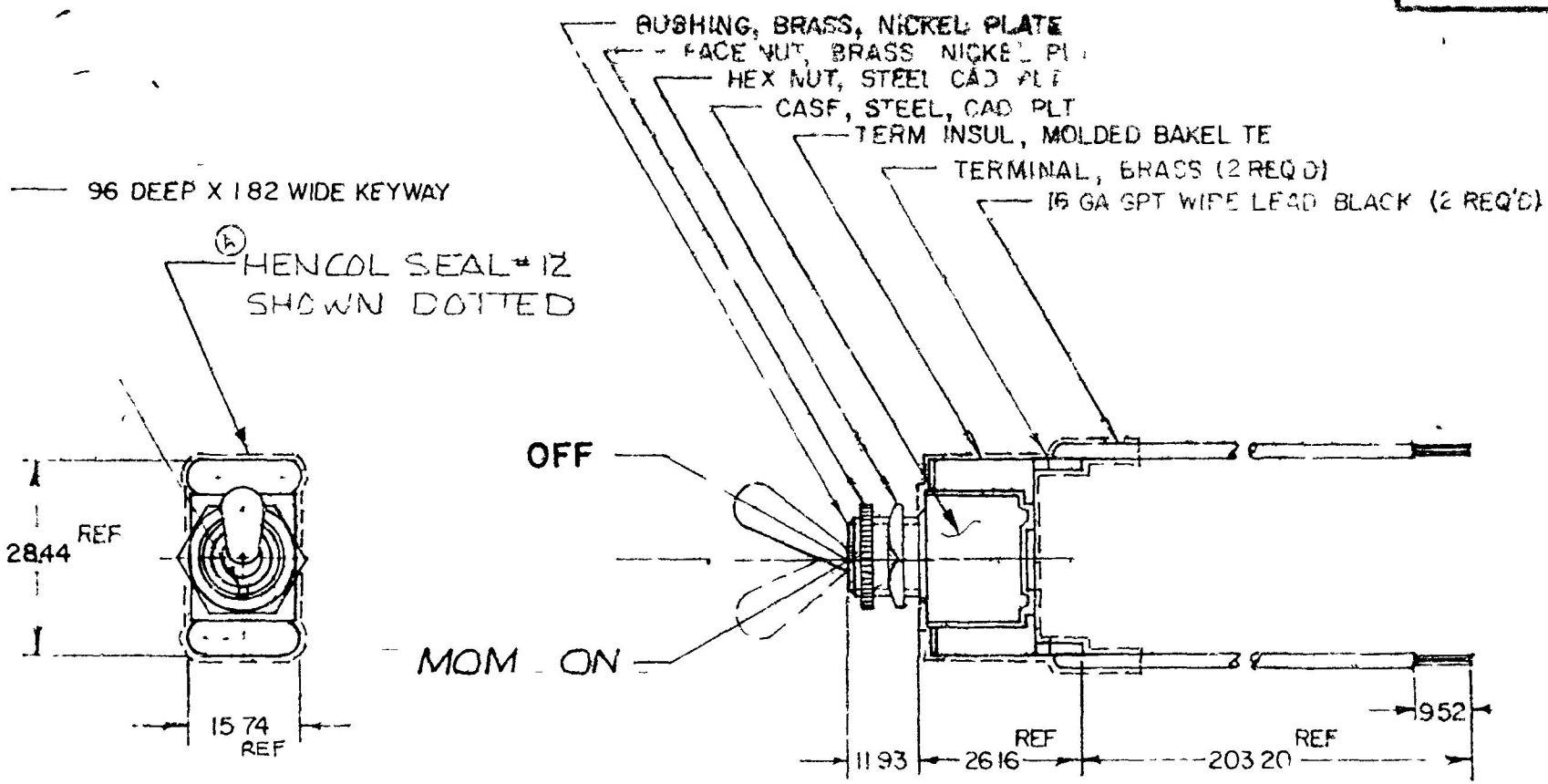


55020-04

MM	IN
.25	.010
.96	.038
1.82	.072
3.82	.150
11.93	.470
15.74	.620
26.16	1.030
28.44	1.120
203.20	8.000



NOTE  
 1 NEOPRENE O RING SEALED  
 (A)

METRIC

DO NOT SCALE

LET	WAS	DATE	BY	LET	WAS	DATE	BY	MATERIAL	DRAWN	CHECKED	APPRO'D	SCALE	DATE DRAWN
									F.M.	8-3-79			7-27-79
								FINISH					DATE BLUEPRINT
								TOLERANCES					
				A	DELETED NOTE	3-23-84	PR	DECIMAL ± 0.1	S.P.S.T. MOM TOGGLE SWITCH				55020-04
					ADDED NOTE	8-3-79	ISSUED	METRIC ± .1					

CH 188(4 78)