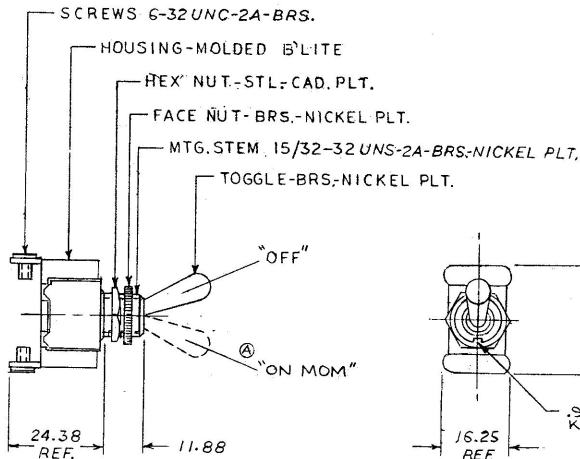


55020-02

METRIC

## NOTE:

- 1) NEOPRENE O-RING SEAL AT MTG STEM
- 2) ALL STEEL PARTS EITHER ZINC PLT. DICHROMATE DIP OR CAD. PLT.

Ⓢ 3) SILVER CONTACT SURFACES

Confidential Property of Cole Hersee

DO NOT SCALE

ET	WAS	DATE	BY	LET	WAS	DATE	BY	MATERIAL	DRAWN	CHECKED	APPRVD.	SCALE	BASIC WITH O-RING SEAL	DATE DRAWN
								⚡	EA	9-24-76		1=		9-22-76
								FINISH	<b>COLE-HERSEE COMPANY</b> BOSTON, MASS. 02127, U.S.A.					DATE BLUEPRINT
								TOLERANCES FRACTIONAL ± DECIMAL ±0,25						TOGGLE SW.
				B	ADD NOTE 05432	9/15/73	JH							
				A	ECN 23559	6-30-87	MZ							
					ISSUED	7-25-88	AF							

IN	MILL
0.25	.010
0.96	.038
1.82	.072
11.88	.468
16.25	.640
17.44	.687
24.38	.960
28.95	1.140